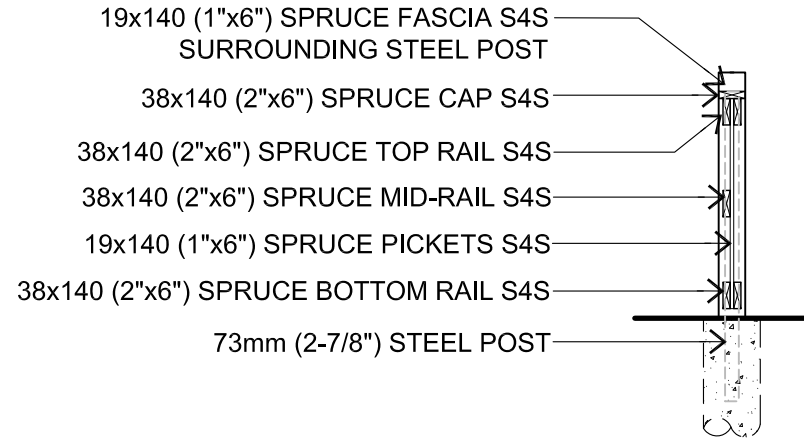


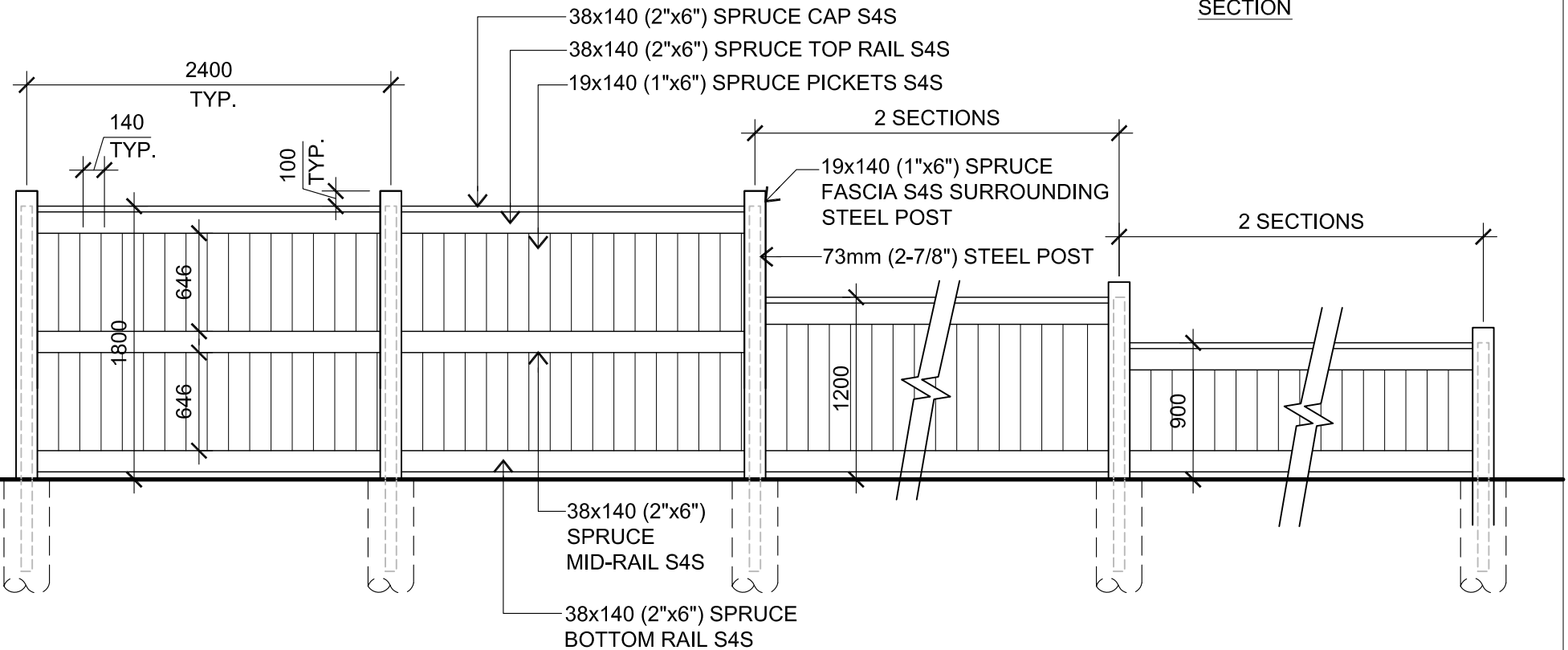
**PAINT SPECIFICATION:**

NAME: 'KING'S HEIGHTS'  
1 GALLON FORMULA  
PRODUCT 73049  
FORMULA B20, C36, I6, KX3Y8  
AVAILABLE FROM GENERAL PAINT



**NOTE:**  
-900 & 1200mm  
HT. FENCE  
HAVE NO  
MID-RAIL.

**SECTION**



**ELEVATION**

# KING'S HEIGHTS WALKWAY FENCE

SCALE: 1 : 40