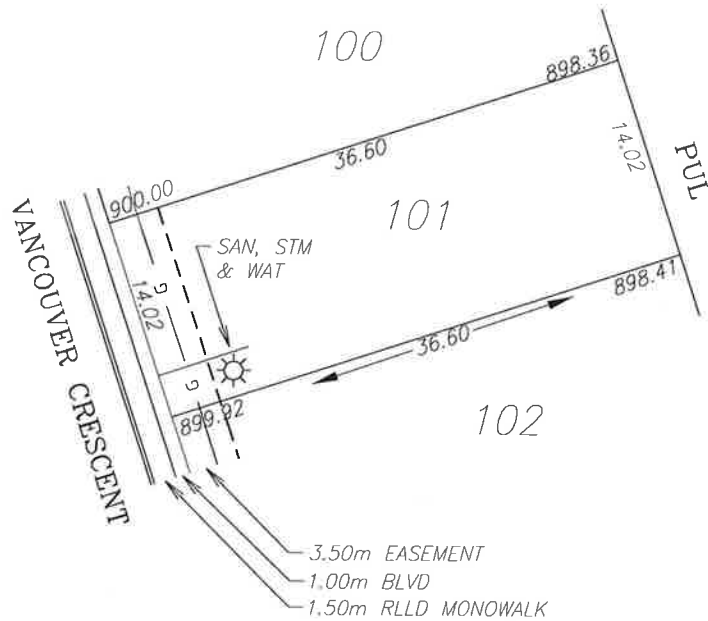
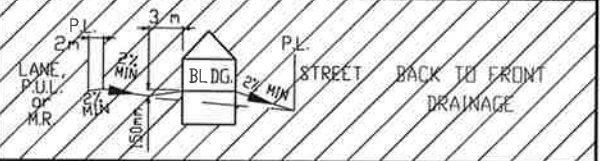


BUILDING GRADE CERTIFICATE

City of Red Deer

Issued by: No.

1. WHEN EXCAVATING IN A RIGHT OF WAY (EASEMENT), CHECK FOR UTILITIES.
2. STANDING AT THE WATER SHUTOFF AND FACING THE BUILDING, THE SANITARY SERVICE (PAINTED RED) IS ON THE LEFT SIDE OF THE WATER SERVICE; STORM SERVICE (PAINTED GREEN) IS ON THE RIGHT SIDE OF THE WATER SERVICE.
3. ALL DIMENSIONS ARE IN METRES AND DECIMALS THERE OF. THE ELEVATIONS ARE IN METRES ABOVE GEODETIC MEAN SEA LEVEL.
4. ELEVATIONS NOTED ON THE CERTIFICATE ARE WITHIN 100mm OF ACTUAL.
5. THE BUILDER MUST CONSTRUCT WITHIN 100mm OF THE DESIGN LANDSCAPE ELEVATION & ILLUSTRATED DRAINAGE PATTERNS UNLESS OTHERWISE APPROVED BY THE DEVELOPMENT OFFICER.
6. IF THE INFORMATION ON THIS CERTIFICATE HAS BEEN PREPARED BY A PRIVATE DEVELOPER OR THEIR AGENT, THE CITY OF RED DEER ACCEPTS NO RESPONSIBILITY FOR ITS ACCURACY.



LEGEND

- SAN, WATER & STORM
- ⊙ FIRE HYDRANT
- - - GAS
- ☀ POWER, TELEPHONE & CABLE SERVICE
- ⊙ STREET LIGHT
- ⊠ COMMUNITY MAILBOX
- TRANSFORMER
- EL&P TRANSFORMER
- SHAW PEDESTAL
- ▲ TELEPHONE PEDESTAL
- URD BOX

POWER SERVICE LOCATION IS 1.0m FROM SIDEYARD LOTLINE
 SANITARY AND WATER SERVICE LOCATION IS 3.0m FROM SIDEYARD LOTLINE
 DEPTH OF FILL EXCEEDS 1.2m (BEARING CERTIFICATE REQUIRED)

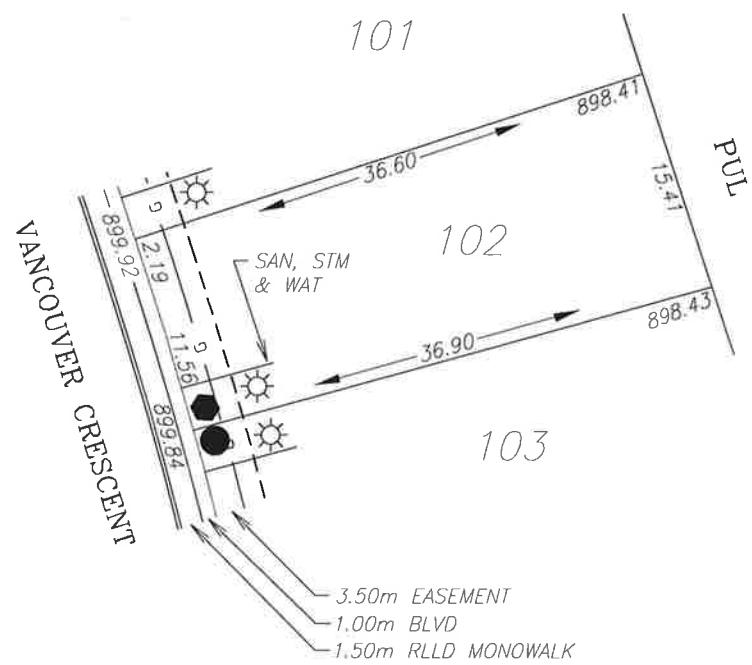
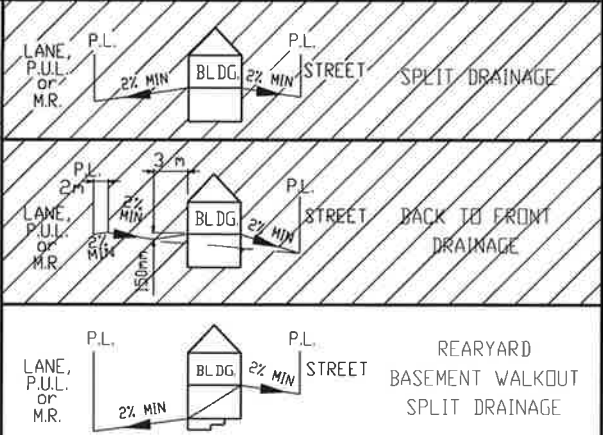
TOP OF FOOTING: MAX. DEPTH BELOW AVERAGE SIDEWALK = <u>2.07</u> LOWEST ELEVATION = <u>897.89</u>	CIVIC ADDRESS: <u>183 VANCOUVER CRESCENT</u> LOT: <u>101</u> BLOCK: <u>4</u> PLAN No.: _____ DEVELOPER: <u>MELCOR DEVELOPMENTS</u> SCALE: <u>1:500</u> DRAWN BY: <u>STANTEC CONSULTING LTD</u> DATE: <u>FEB 19, 2013</u> APPROVED BY: <u>KERRY SAUNDERS</u> DATE: <u>NOV 20, 2013</u> RECEIVED BY: _____ DATE: _____
AS-BUILT SEWER INVERT ELEVATIONS: SANITARY AT 5.0m INSIDE LOT = <u>897.04</u> STORM AT 5.0m INSIDE LOT = <u>897.04</u>	
DESIGN LANDSCAPE ELEVATIONS ELEV. AT FRONT OF HOUSE = <u>900.30</u> ELEV. AT REAR OF HOUSE = <u>898.71</u>	I CERTIFY THAT THE FINAL LANDSCAPE GRADE WILL BE (FRONT) _____ (REAR) _____ SIGNATURE OF OWNER OR REPRESENTATIVE _____

BUILDING GRADE CERTIFICATE

City of Red Deer

Issued by: _____ No. _____

1. WHEN EXCAVATING IN A RIGHT OF WAY (EASEMENT), CHECK FOR UTILITIES.
2. STANDING AT THE WATER SHUTOFF AND FACING THE BUILDING, THE SANITARY SERVICE (PAINTED RED) IS ON THE LEFT SIDE OF THE WATER SERVICE; STORM SERVICE (PAINTED GREEN) IS ON THE RIGHT SIDE OF THE WATER SERVICE.
3. ALL DIMENSIONS ARE IN METRES AND DECIMALS THERE OF. THE ELEVATIONS ARE IN METRES ABOVE GEODETIC MEAN SEA LEVEL.
4. ELEVATIONS NOTED ON THE CERTIFICATE ARE WITHIN 100mm OF ACTUAL.
5. THE BUILDER MUST CONSTRUCT WITHIN 100mm OF THE DESIGN LANDSCAPE ELEVATION & ILLUSTRATED DRAINAGE PATTERNS UNLESS OTHERWISE APPROVED BY THE DEVELOPMENT OFFICER.
6. IF THE INFORMATION ON THIS CERTIFICATE HAS BEEN PREPARED BY A PRIVATE DEVELOPER OR THEIR AGENT, THE CITY OF RED DEER ACCEPTS NO RESPONSIBILITY FOR ITS ACCURACY.



- LEGEND**
- SAN, WATER & STORM
 - ⊙ FIRE HYDRANT
 - 6- GAS
 - ☀ POWER, TELEPHONE & CABLE SERVICE
 - STREET LIGHT
 - ⊠ COMMUNITY MAILBOX
 - TRANSFORMER
 - EL&P TRANSFORMER
 - SHAW PEDESTAL
 - ▲ TELEPHONE PEDESTAL
 - URD BOX

POWER SERVICE LOCATION IS 1.0m FROM SIDEYARD LOTLINE
 SANITARY AND WATER SERVICE LOCATION IS 3.0m FROM SIDEYARD LOTLINE
 DEPTH OF FILL EXCEEDS 1.2m (BEARING CERTIFICATE REQUIRED)

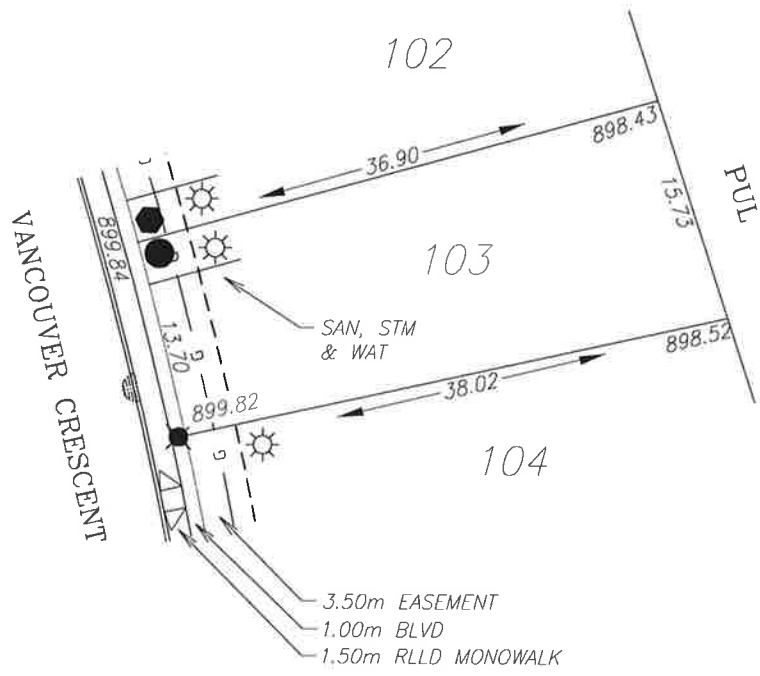
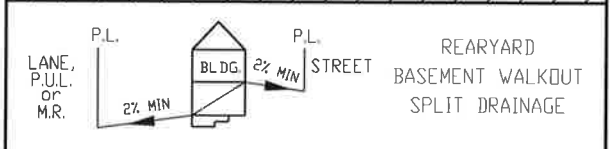
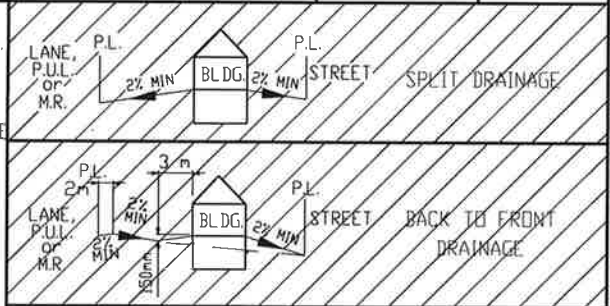
TOP OF FOOTING: MAX. DEPTH BELOW AVERAGE SIDEWALK = <u>1.96</u> LOWEST ELEVATION = <u>897.92</u>	CIVIC ADDRESS: <u>179 VANCOUVER CRESCENT</u> LOT: <u>102</u> BLOCK: <u>4</u> PLAN No.: _____ DEVELOPER: <u>MELCOR DEVELOPMENTS</u> SCALE: <u>1:500</u> DRAWN BY: <u>STANTEC CONSULTING LTD</u> DATE: <u>FEB 19, 2013</u> APPROVED BY: <u>KERRY SAUNDERS</u> DATE: <u>NOV 20, 2013</u> RECEIVED BY: _____ DATE: _____
AS-BUILT SEWER INVERT ELEVATIONS: SANITARY AT 5.0m INSIDE LOT = <u>897.07</u> STORM AT 5.0m INSIDE LOT = <u>897.07</u>	

DESIGN LANDSCAPE ELEVATIONS ELEV. AT FRONT OF HOUSE = <u>900.22</u> ELEV. AT REAR OF HOUSE = <u>898.73</u>	I CERTIFY THAT THE FINAL LANDSCAPE GRADE WILL BE (FRONT) _____ (REAR) _____ SIGNATURE OF OWNER OR REPRESENTATIVE _____
--	--

BUILDING GRADE CERTIFICATE

City of Red Deer
 Issued by: _____ No. _____

1. WHEN EXCAVATING IN A RIGHT OF WAY (EASEMENT), CHECK FOR UTILITIES.
2. STANDING AT THE WATER SHUTOFF AND FACING THE BUILDING, THE SANITARY SERVICE (PAINTED RED) IS ON THE LEFT SIDE OF THE WATER SERVICE; STORM SERVICE (PAINTED GREEN) IS ON THE RIGHT SIDE OF THE WATER SERVICE.
3. ALL DIMENSIONS ARE IN METRES AND DECIMALS THERE OF. THE ELEVATIONS ARE IN METRES ABOVE GEODETIC MEAN SEA LEVEL.
4. ELEVATIONS NOTED ON THE CERTIFICATE ARE WITHIN 100mm OF ACTUAL.
5. THE BUILDER MUST CONSTRUCT WITHIN 100mm OF THE DESIGN LANDSCAPE ELEVATION & ILLUSTRATED DRAINAGE PATTERNS UNLESS OTHERWISE APPROVED BY THE DEVELOPMENT OFFICER.
6. IF THE INFORMATION ON THIS CERTIFICATE HAS BEEN PREPARED BY A PRIVATE DEVELOPER OR THEIR AGENT, THE CITY OF RED DEER ACCEPTS NO RESPONSIBILITY FOR ITS ACCURACY.



- LEGEND**
- SAN, WATER & STORM
 - ⊙ FIRE HYDRANT
 - - - GAS
 - ☀ POWER, TELEPHONE & CABLE SERVICE
 - STREET LIGHT
 - ☒ COMMUNITY MAILBOX
 - TRANSFORMER
 - EL&P TRANSFORMER
 - SHAW PEDESTAL
 - ▲ TELEPHONE PEDESTAL
 - URD BOX

POWER SERVICE LOCATION IS 1.0m FROM SIDEYARD LOTLINE
 SANITARY AND WATER SERVICE LOCATION IS 3.0m FROM SIDEYARD LOTLINE
 DEPTH OF FILL EXCEEDS 1.2m (BEARING CERTIFICATE REQUIRED)

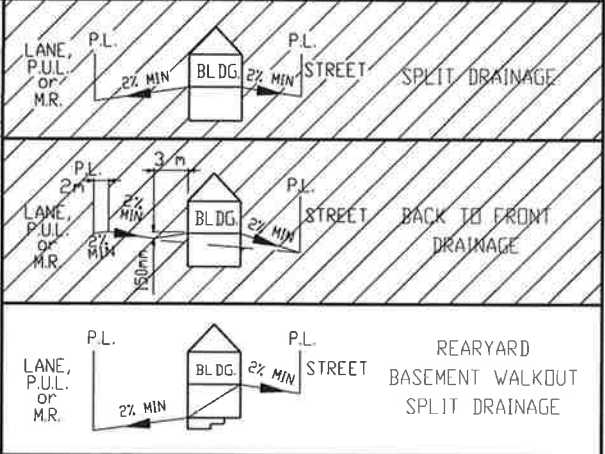
TOP OF FOOTING: MAX. DEPTH BELOW AVERAGE SIDEWALK = <u>1.91</u> LOWEST ELEVATION = <u>897.92</u>	CIVIC ADDRESS: <u>175 VANCOUVER CRESCENT</u> LOT: <u>103</u> BLOCK: <u>4</u> PLAN No.: _____ DEVELOPER: <u>MELCOR DEVELOPMENTS</u> SCALE: <u>1:500</u> DRAWN BY: <u>STANTEC CONSULTING LTD</u> DATE: <u>FEB 19, 2013</u> APPROVED BY: <u>KERRY SAUNDERS</u> DATE: <u>NOV 20, 2013</u> RECEIVED BY: _____ DATE: _____
AS-BUILT SEWER INVERT ELEVATIONS: SANITARY AT 5.0m INSIDE LOT = <u>897.07</u> STORM AT 5.0m INSIDE LOT = <u>897.07</u>	DESIGN LANDSCAPE ELEVATIONS ELEV. AT FRONT OF HOUSE = <u>900.14</u> ELEV. AT REAR OF HOUSE = <u>898.82</u>
I CERTIFY THAT THE FINAL LANDSCAPE GRADE WILL BE (FRONT) _____ (REAR) _____ SIGNATURE OF OWNER OR REPRESENTATIVE _____	

BUILDING GRADE CERTIFICATE

City of Red Deer

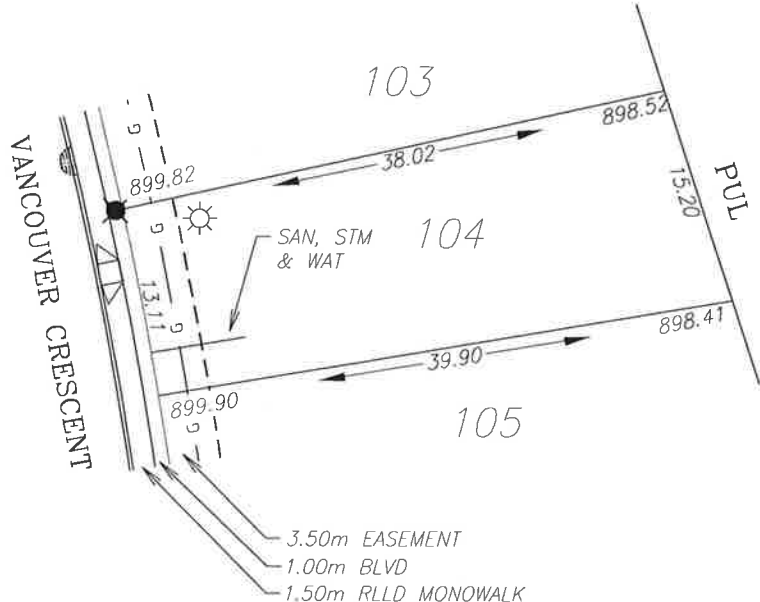
Issued by: No.

1. WHEN EXCAVATING IN A RIGHT OF WAY (EASEMENT), CHECK FOR UTILITIES.
2. STANDING AT THE WATER SHUTOFF AND FACING THE BUILDING, THE SANITARY SERVICE (PAINTED RED) IS ON THE LEFT SIDE OF THE WATER SERVICE; STORM SERVICE (PAINTED GREEN) IS ON THE RIGHT SIDE OF THE WATER SERVICE.
3. ALL DIMENSIONS ARE IN METRES AND DECIMALS THERE OF. THE ELEVATIONS ARE IN METRES ABOVE GEODETIC MEAN SEA LEVEL.
4. ELEVATIONS NOTED ON THE CERTIFICATE ARE WITHIN 100mm OF ACTUAL.
5. THE BUILDER MUST CONSTRUCT WITHIN 100mm OF THE DESIGN LANDSCAPE ELEVATION & ILLUSTRATED DRAINAGE PATTERNS UNLESS OTHERWISE APPROVED BY THE DEVELOPMENT OFFICER.
6. IF THE INFORMATION ON THIS CERTIFICATE HAS BEEN PREPARED BY A PRIVATE DEVELOPER OR THEIR AGENT, THE CITY OF RED DEER ACCEPTS NO RESPONSIBILITY FOR ITS ACCURACY.



LEGEND

- SAN, WATER & STORM
- ⊙ FIRE HYDRANT
- - - GAS
- ☀ POWER, TELEPHONE & CABLE SERVICE
- STREET LIGHT
- ⊠ COMMUNITY MAILBOX
- TRANSFORMER
- EL&P TRANSFORMER
- SHAW PEDESTAL
- ▲ TELEPHONE PEDESTAL
- URD BOX



POWER SERVICE LOCATION IS 1.0m FROM SIDEYARD LOTLINE
 SANITARY AND WATER SERVICE LOCATION IS 3.0m FROM SIDEYARD LOTLINE
 DEPTH OF FILL EXCEEDS 1.2m (BEARING CERTIFICATE REQUIRED)

TOP OF FOOTING: MAX. DEPTH BELOW AVERAGE SIDEWALK = <u>1.80</u> LOWEST ELEVATION = <u>898.06</u>	CIVIC ADDRESS: <u>171 VANCOUVER CRESCENT</u> LOT: <u>104</u> BLOCK: <u>4</u> PLAN No.: _____ DEVELOPER: <u>MELCOR DEVELOPMENTS</u> SCALE: <u>1:500</u> DRAWN BY: <u>STANTEC CONSULTING LTD</u> DATE: <u>FEB 19, 2013</u> APPROVED BY: <u>KERRY SAUNDERS</u> DATE: <u>NOV 20, 2013</u> RECEIVED BY: _____ DATE: _____
AS-BUILT SEWER INVERT ELEVATIONS: SANITARY AT 5.0m INSIDE LOT = <u>897.21</u> STORM AT 5.0m INSIDE LOT = <u>897.21</u>	

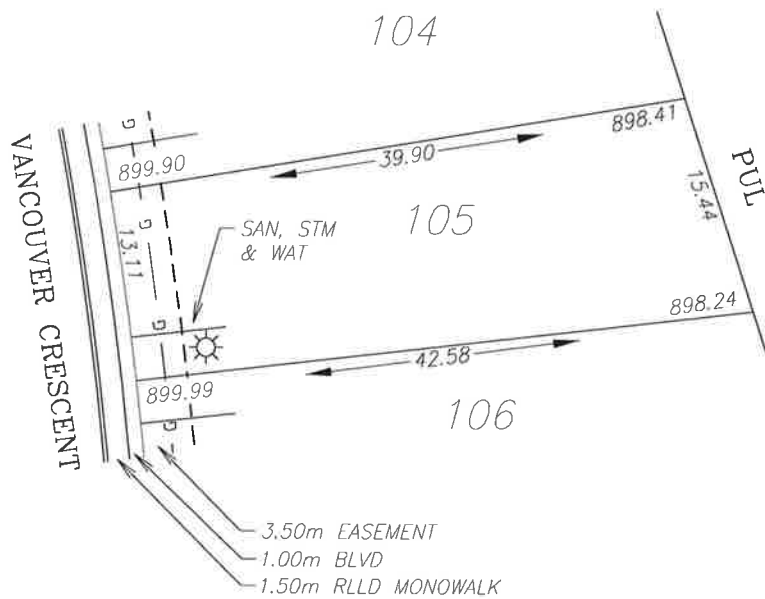
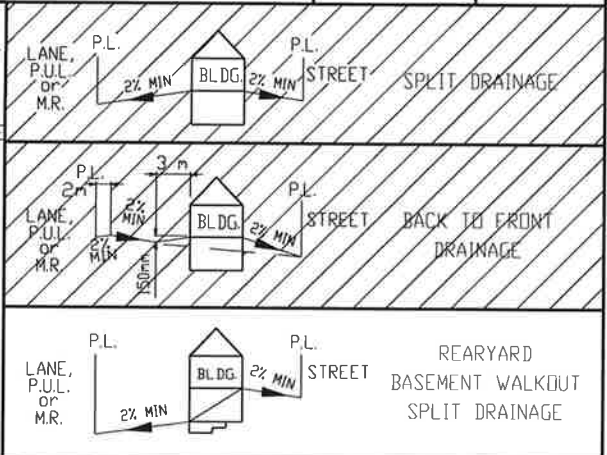
DESIGN LANDSCAPE ELEVATIONS ELEV. AT FRONT OF HOUSE = <u>900.20</u> ELEV. AT REAR OF HOUSE = <u>898.82</u>	I CERTIFY THAT THE FINAL LANDSCAPE GRADE WILL BE (FRONT) _____ (REAR) _____ SIGNATURE OF OWNER OR REPRESENTATIVE _____
--	--

BUILDING GRADE CERTIFICATE

City of Red Deer

Issued by: No.

1. WHEN EXCAVATING IN A RIGHT OF WAY (EASEMENT), CHECK FOR UTILITIES.
2. STANDING AT THE WATER SHUTOFF AND FACING THE BUILDING, THE SANITARY SERVICE (PAINTED RED) IS ON THE LEFT SIDE OF THE WATER SERVICE: STORM SERVICE (PAINTED GREEN) IS ON THE RIGHT SIDE OF THE WATER SERVICE.
3. ALL DIMENSIONS ARE IN METRES AND DECIMALS THERE OF. THE ELEVATIONS ARE IN METRES ABOVE GEODETIC MEAN SEA LEVEL.
4. ELEVATIONS NOTED ON THE CERTIFICATE ARE WITHIN 100mm OF ACTUAL.
5. THE BUILDER MUST CONSTRUCT WITHIN 100mm OF THE DESIGN LANDSCAPE ELEVATION & ILLUSTRATED DRAINAGE PATTERNS UNLESS OTHERWISE APPROVED BY THE DEVELOPMENT OFFICER.
6. IF THE INFORMATION ON THIS CERTIFICATE HAS BEEN PREPARED BY A PRIVATE DEVELOPER OR THEIR AGENT, THE CITY OF RED DEER ACCEPTS NO RESPONSIBILITY FOR ITS ACCURACY.



LEGEND

- SAN, WATER & STORM
- ⊙ FIRE HYDRANT
- o- GAS
- ☀ POWER, TELEPHONE & CABLE SERVICE
- ⊙ STREET LIGHT
- ⊠ COMMUNITY MAILBOX
- TRANSFORMER
- EL&P TRANSFORMER
- SHAW PEDESTAL
- ▲ TELEPHONE PEDESTAL
- URD BOX

POWER SERVICE LOCATION IS 1.0m FROM SIDEYARD LOTLINE
 SANITARY AND WATER SERVICE LOCATION IS 3.0m FROM SIDEYARD LOTLINE
 DEPTH OF FILL EXCEEDS 1.2m (BEARING CERTIFICATE REQUIRED)

TOP OF FOOTING: MAX. DEPTH BELOW AVERAGE SIDEWALK = <u>1.84</u> LOWEST ELEVATION = <u>898.11</u>	CIVIC ADDRESS: <u>167 VANCOUVER CRESCENT</u> LOT: <u>105</u> BLOCK: <u>4</u> PLAN No.: _____ DEVELOPER: <u>MELCOR DEVELOPMENTS</u> SCALE: <u>1:500</u> DRAWN BY: <u>STANTEC CONSULTING LTD</u> DATE: <u>FEB 19, 2013</u>
AS-BUILT SEWER INVERT ELEVATIONS: SANITARY AT 5.0m INSIDE LOT = <u>897.26</u> STORM AT 5.0m INSIDE LOT = <u>897.26</u>	APPROVED BY: <u>KERRY SAUNDERS</u> DATE: <u>NOV 20, 2013</u> RECEIVED BY: _____ DATE: _____

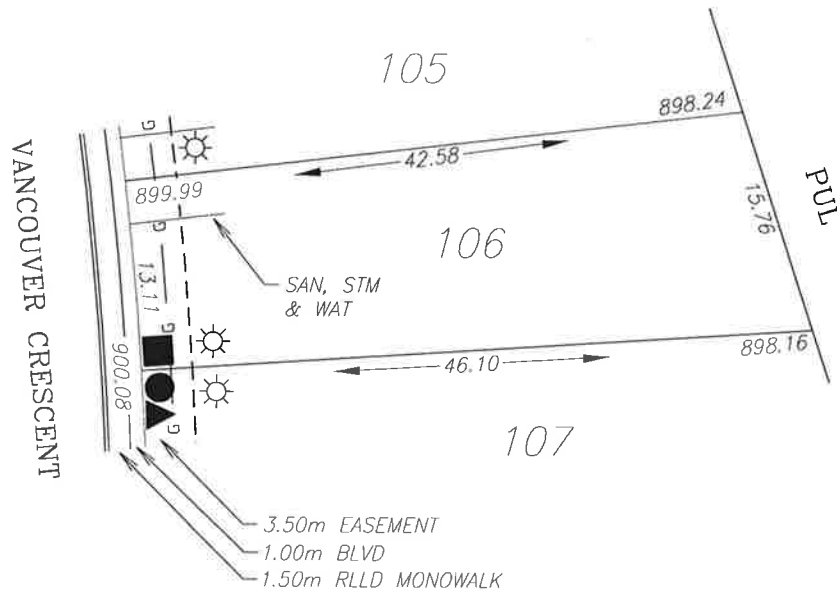
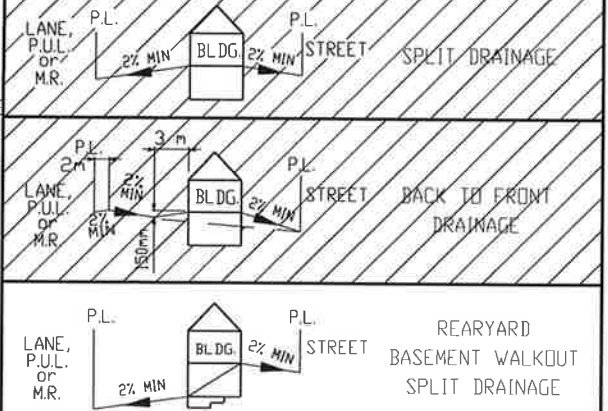
DESIGN LANDSCAPE ELEVATIONS ELEV. AT FRONT OF HOUSE = <u>900.29</u> ELEV. AT REAR OF HOUSE = <u>898.71</u>	I CERTIFY THAT THE FINAL LANDSCAPE GRADE WILL BE (FRONT) _____ (REAR) _____ SIGNATURE OF OWNFR OR REPRESENTATIVE _____
--	--

BUILDING GRADE CERTIFICATE

City of Red Deer

Issued by: No.

1. WHEN EXCAVATING IN A RIGHT OF WAY (EASEMENT), CHECK FOR UTILITIES.
2. STANDING AT THE WATER SHUTOFF AND FACING THE BUILDING, THE SANITARY SERVICE (PAINTED RED) IS ON THE LEFT SIDE OF THE WATER SERVICE; STORM SERVICE (PAINTED GREEN) IS ON THE RIGHT SIDE OF THE WATER SERVICE.
3. ALL DIMENSIONS ARE IN METRES AND DECIMALS THERE OF. THE ELEVATIONS ARE IN METRES ABOVE GEODETIC MEAN SEA LEVEL.
4. ELEVATIONS NOTED ON THE CERTIFICATE ARE WITHIN 100mm OF ACTUAL.
5. THE BUILDER MUST CONSTRUCT WITHIN 100mm OF THE DESIGN LANDSCAPE ELEVATION & ILLUSTRATED DRAINAGE PATTERNS UNLESS OTHERWISE APPROVED BY THE DEVELOPMENT OFFICER.
6. IF THE INFORMATION ON THIS CERTIFICATE HAS BEEN PREPARED BY A PRIVATE DEVELOPER OR THEIR AGENT, THE CITY OF RED DEER ACCEPTS NO RESPONSIBILITY FOR ITS ACCURACY.



LEGEND

- SAN, WATER & STORM
- ⊙ FIRE HYDRANT
- ⊙ GAS
- ☀ POWER, TELEPHONE & CABLE SERVICE
- ⊙ STREET LIGHT
- ⊠ COMMUNITY MAILBOX
- TRANSFORMER
- EL&P TRANSFORMER
- SHAW PEDESTAL
- ▲ TELEPHONE PEDESTAL
- URD BOX

POWER SERVICE LOCATION IS 1.0m FROM SIDEYARD LOTLINE
 SANITARY AND WATER SERVICE LOCATION IS 3.0m FROM SIDEYARD LOTLINE
 DEPTH OF FILL EXCEEDS 1.2m (BEARING CERTIFICATE REQUIRED)

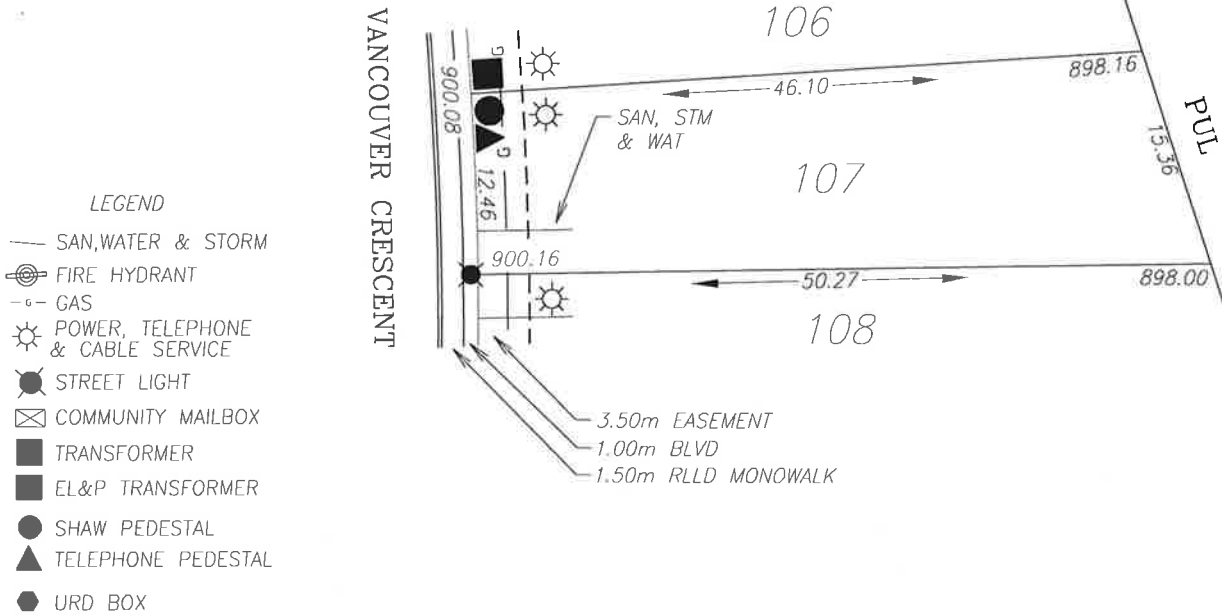
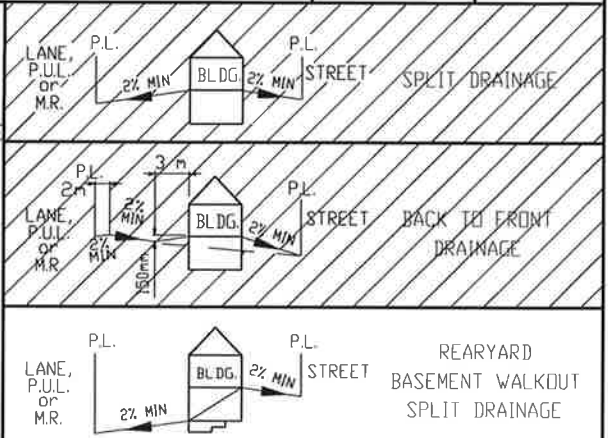
TOP OF FOOTING: MAX. DEPTH BELOW AVERAGE SIDEWALK = <u>1.89</u> LOWEST ELEVATION = <u>898.15</u>	CIVIC ADDRESS: <u>163 VANCOUVER CRESCENT</u> LOT: <u>106</u> BLOCK: <u>4</u> PLAN No.: _____ DEVELOPER: <u>MELCOR DEVELOPMENTS</u> SCALE: <u>1:500</u> DRAWN BY: <u>STANTEC CONSULTING LTD</u> DATE: <u>FEB 19, 2013</u> APPROVED BY: <u>KERRY SAUNDERS</u> DATE: <u>NOV 20, 2013</u> RECEIVED BY: _____ DATE: _____
AS-BUILT SEWER INVERT ELEVATIONS: SANITARY AT 5.0m INSIDE LOT = <u>897.30</u> STORM AT 5.0m INSIDE LOT = <u>897.30</u>	DESIGN LANDSCAPE ELEVATIONS ELEV. AT FRONT OF HOUSE = <u>900.38</u> ELEV. AT REAR OF HOUSE = <u>898.54</u>
I CERTIFY THAT THE FINAL LANDSCAPE GRADE WILL BE (FRONT) _____ (REAR) _____ SIGNATURE OF OWNER OR REPRESENTATIVE _____	

BUILDING GRADE CERTIFICATE

City of Red Deer

Issued by: No.

1. WHEN EXCAVATING IN A RIGHT OF WAY (EASEMENT), CHECK FOR UTILITIES.
2. STANDING AT THE WATER SHUTOFF AND FACING THE BUILDING, THE SANITARY SERVICE (PAINTED RED) IS ON THE LEFT SIDE OF THE WATER SERVICE: STORM SERVICE (PAINTED GREEN) IS ON THE RIGHT SIDE OF THE WATER SERVICE.
3. ALL DIMENSIONS ARE IN METRES AND DECIMALS THERE OF. THE ELEVATIONS ARE IN METRES ABOVE GEODETIC MEAN SEA LEVEL.
4. ELEVATIONS NOTED ON THE CERTIFICATE ARE WITHIN 100mm OF ACTUAL.
5. THE BUILDER MUST CONSTRUCT WITHIN 100mm OF THE DESIGN LANDSCAPE ELEVATION & ILLUSTRATED DRAINAGE PATTERNS UNLESS OTHERWISE APPROVED BY THE DEVELOPMENT OFFICER.
6. IF THE INFORMATION ON THIS CERTIFICATE HAS BEEN PREPARED BY A PRIVATE DEVELOPER OR THEIR AGENT, THE CITY OF RED DEER ACCEPTS NO RESPONSIBILITY FOR ITS ACCURACY.



LEGEND

- SAN, WATER & STORM
- ⊙ FIRE HYDRANT
- GAS
- ☀ POWER, TELEPHONE & CABLE SERVICE
- ⦿ STREET LIGHT
- ⊠ COMMUNITY MAILBOX
- TRANSFORMER
- EL&P TRANSFORMER
- SHAW PEDESTAL
- ▲ TELEPHONE PEDESTAL
- URD BOX

POWER SERVICE LOCATION IS 1.0m FROM SIDEYARD LOTLINE
 SANITARY AND WATER SERVICE LOCATION IS 3.0m FROM SIDEYARD LOTLINE
 DEPTH OF FILL EXCEEDS 1.2m (BEARING CERTIFICATE REQUIRED)

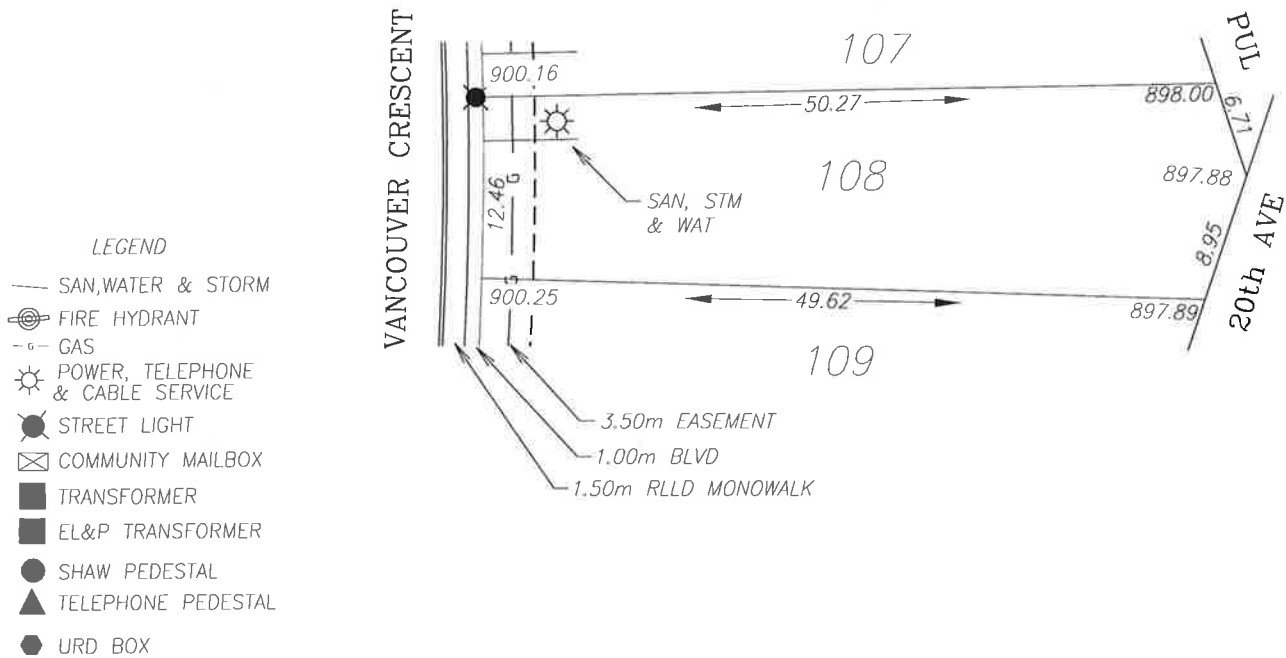
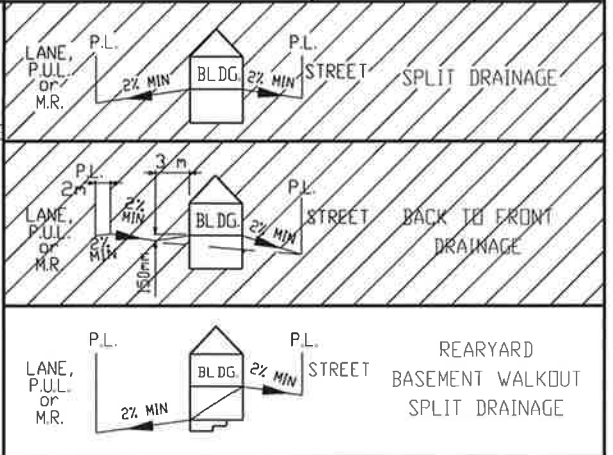
TOP OF FOOTING: MAX. DEPTH BELOW AVERAGE SIDEWALK = <u>1.92</u> LOWEST ELEVATION = <u>898.20</u>	CIVIC ADDRESS: <u>159 VANCOUVER CRESCENT</u> LOT: <u>107</u> BLOCK: <u>4</u> PLAN No.: _____ DEVELOPER: <u>MELCOR DEVELOPMENTS</u> SCALE: <u>1:500</u> DRAWN BY: <u>STANTEC CONSULTING LTD</u> DATE: <u>FEB 19, 2013</u> APPROVED BY: <u>KERRY SAUNDERS</u> DATE: <u>NOV 20, 2013</u> RECEIVED BY: _____ DATE: _____
AS-BUILT SEWER INVERT ELEVATIONS: SANITARY AT 5.0m INSIDE LOT = <u>897.35</u> STORM AT 5.0m INSIDE LOT = <u>897.35</u>	
DESIGN LANDSCAPE ELEVATIONS ELEV. AT FRONT OF HOUSE = <u>900.46</u> ELEV. AT REAR OF HOUSE = <u>898.46</u>	I CERTIFY THAT THE FINAL LANDSCAPE GRADE WILL BE (FRONT) _____ (REAR) _____ SIGNATURE OF OWNER OR REPRESENTATIVE _____

BUILDING GRADE CERTIFICATE

City of Red Deer

Issued by: No.

1. WHEN EXCAVATING IN A RIGHT OF WAY (EASEMENT), CHECK FOR UTILITIES.
2. STANDING AT THE WATER SHUTOFF AND FACING THE BUILDING, THE SANITARY SERVICE (PAINTED RED) IS ON THE LEFT SIDE OF THE WATER SERVICE: STORM SERVICE (PAINTED GREEN) IS ON THE RIGHT SIDE OF THE WATER SERVICE.
3. ALL DIMENSIONS ARE IN METRES AND DECIMALS THERE OF. THE ELEVATIONS ARE IN METRES ABOVE GEODETIC MEAN SEA LEVEL.
4. ELEVATIONS NOTED ON THE CERTIFICATE ARE WITHIN 100mm OF ACTUAL.
5. THE BUILDER MUST CONSTRUCT WITHIN 100mm OF THE DESIGN LANDSCAPE ELEVATION & ILLUSTRATED DRAINAGE PATTERNS UNLESS OTHERWISE APPROVED BY THE DEVELOPMENT OFFICER.
6. IF THE INFORMATION ON THIS CERTIFICATE HAS BEEN PREPARED BY A PRIVATE DEVELOPER OR THEIR AGENT, THE CITY OF RED DEER ACCEPTS NO RESPONSIBILITY FOR ITS ACCURACY.



LEGEND

- SAN, WATER & STORM
- ⊙ FIRE HYDRANT
- - - GAS
- ☀ POWER, TELEPHONE & CABLE SERVICE
- ⊙ STREET LIGHT
- ⊠ COMMUNITY MAILBOX
- TRANSFORMER
- EL&P TRANSFORMER
- SHAW PEDESTAL
- ▲ TELEPHONE PEDESTAL
- URD BOX

POWER SERVICE LOCATION IS 1.0m FROM SIDEYARD LOTLINE
 SANITARY AND WATER SERVICE LOCATION IS 3.0m FROM SIDEYARD LOTLINE
 DEPTH OF FILL EXCEEDS 1.2m (BEARING CERTIFICATE REQUIRED)

TOP OF FOOTING: MAX. DEPTH BELOW AVERAGE SIDEWALK = <u>1.99</u> LOWEST ELEVATION = <u>898.22</u>	CIVIC ADDRESS: <u>155 VANCOUVER CRESCENT</u> LOT: <u>108</u> BLOCK: <u>4</u> PLAN No.: _____ DEVELOPER: <u>MELCOR DEVELOPMENTS</u> SCALE: <u>1:500</u> DRAWN BY: <u>STANTEC CONSULTING LTD</u> DATE: <u>FEB 19, 2013</u> APPROVED BY: <u>KERRY SAUNDERS</u> DATE: <u>NOV 20, 2013</u> RECEIVED BY: _____ DATE: _____
AS-BUILT SEWER INVERT ELEVATIONS: SANITARY AT 5.0m INSIDE LOT = <u>897.37</u> STORM AT 5.0m INSIDE LOT = <u>897.37</u>	

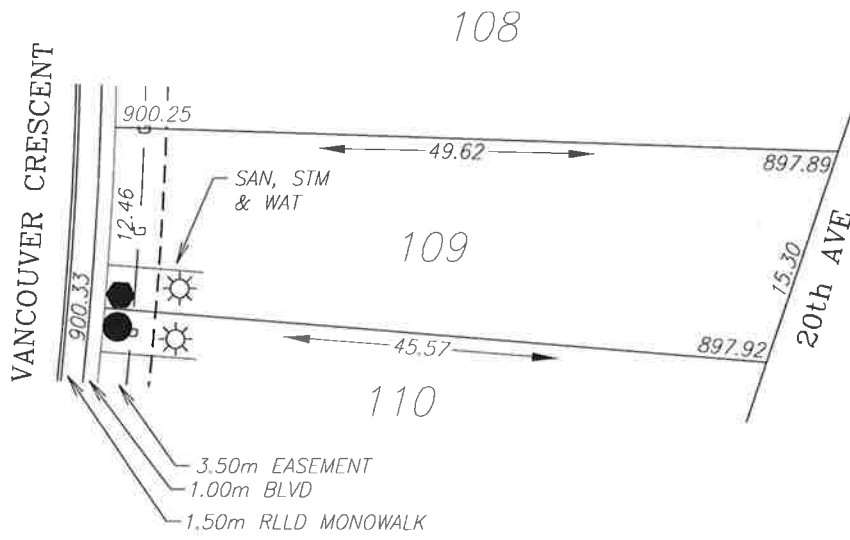
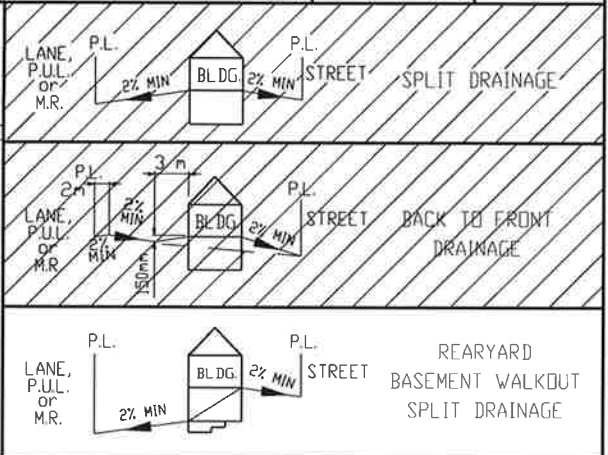
DESIGN LANDSCAPE ELEVATIONS ELEV. AT FRONT OF HOUSE = <u>900.55</u> F.L.F.V. AT REAR OF HOUSE = <u>898.30</u>	I CERTIFY THAT THE FINAL LANDSCAPE GRADE WILL BE (FRONT) _____ (REAR) _____ SIGNATURE OF OWNER OR REPRESENTATIVE _____
---	---

BUILDING GRADE CERTIFICATE

City of Red Deer

Issued by: No.

1. WHEN EXCAVATING IN A RIGHT OF WAY (EASEMENT), CHECK FOR UTILITIES.
2. STANDING AT THE WATER SHUTOFF AND FACING THE BUILDING, THE SANITARY SERVICE (PAINTED RED) IS ON THE LEFT SIDE OF THE WATER SERVICE: STORM SERVICE (PAINTED GREEN) IS ON THE RIGHT SIDE OF THE WATER SERVICE.
3. ALL DIMENSIONS ARE IN METRES AND DECIMALS THERE OF. THE ELEVATIONS ARE IN METRES ABOVE GEODETIC MEAN SEA LEVEL.
4. ELEVATIONS NOTED ON THE CERTIFICATE ARE WITHIN 100mm OF ACTUAL.
5. THE BUILDER MUST CONSTRUCT WITHIN 100mm OF THE DESIGN LANDSCAPE ELEVATION & ILLUSTRATED DRAINAGE PATTERNS UNLESS OTHERWISE APPROVED BY THE DEVELOPMENT OFFICER.
6. IF THE INFORMATION ON THIS CERTIFICATE HAS BEEN PREPARED BY A PRIVATE DEVELOPER OR THEIR AGENT, THE CITY OF RED DEER ACCEPTS NO RESPONSIBILITY FOR ITS ACCURACY.



- LEGEND
- SAN, WATER & STORM
 - ⊙ FIRE HYDRANT
 - - - GAS
 - ☀ POWER, TELEPHONE & CABLE SERVICE
 - STREET LIGHT
 - ⊠ COMMUNITY MAILBOX
 - TRANSFORMER
 - EL&P TRANSFORMER
 - SHAW PEDESTAL
 - ▲ TELEPHONE PEDESTAL
 - URD BOX

POWER SERVICE LOCATION IS 1.0m FROM SIDEYARD LOTLINE
 SANITARY AND WATER SERVICE LOCATION IS 3.0m FROM SIDEYARD LOTLINE
 DEPTH OF FILL EXCEEDS 1.2m (BEARING CERTIFICATE REQUIRED)

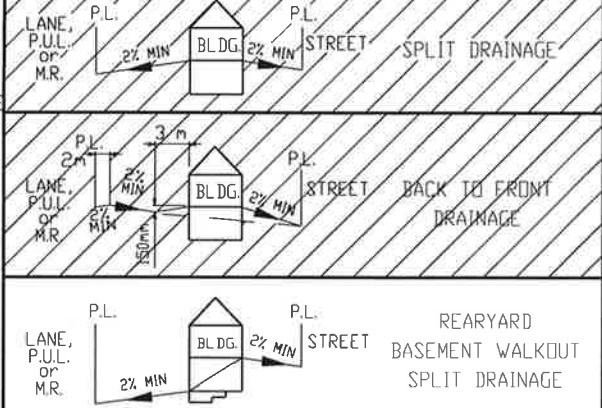
TOP OF FOOTING: MAX. DEPTH BELOW AVERAGE SIDEWALK = 1.98 LOWEST ELEVATION = 898.31	CIVIC ADDRESS: 151 VANCOUVER CRESCENT LOT: 109 BLOCK: 4 PLAN No.: DEVELOPER: MELCOR DEVELOPMENTS SCALE: 1:500 DRAWN BY: STANTEC CONSULTING LTD DATE: FEB 19, 2013 APPROVED BY: KERRY SAUNDERS DATE: NOV 20, 2013 RECEIVED BY: DATE:
AS-BUILT SEWER INVERT ELEVATIONS: SANITARY AT 5.0m INSIDE LOT = 897.46 STORM AT 5.0m INSIDE LOT = 897.46	
DESIGN LANDSCAPE ELEVATIONS ELEV. AT FRONT OF HOUSE = 900.63 ELEV. AT REAR OF HOUSE = 898.22	I CERTIFY THAT THE FINAL LANDSCAPE GRADE WILL BE (FRONT) _____ (REAR) _____ SIGNATURE OF OWNER OR REPRESENTATIVE _____

BUILDING GRADE CERTIFICATE

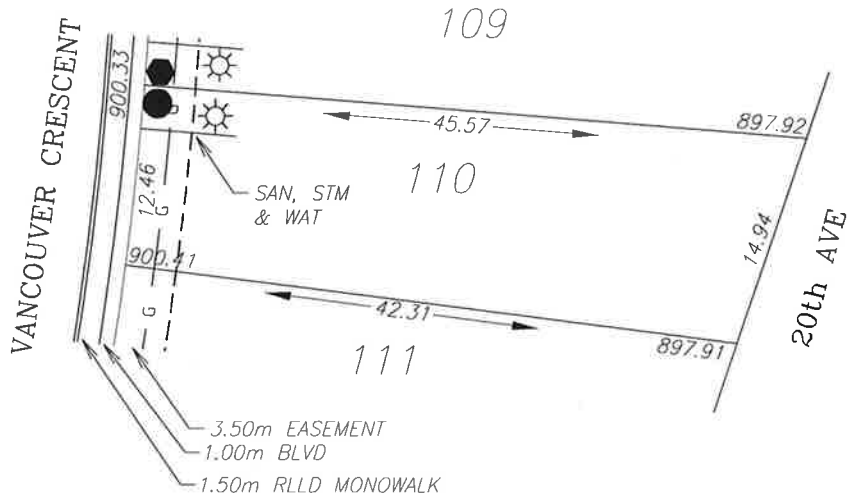
City of Red Deer

Issued by: No.

1. WHEN EXCAVATING IN A RIGHT OF WAY (EASEMENT), CHECK FOR UTILITIES.
2. STANDING AT THE WATER SHUTOFF AND FACING THE BUILDING, THE SANITARY SERVICE (PAINTED RED) IS ON THE LEFT SIDE OF THE WATER SERVICE (PAINTED GREEN) IS ON THE RIGHT SIDE OF THE WATER SERVICE.
3. ALL DIMENSIONS ARE IN METRES AND DECIMALS THERE OF. THE ELEVATIONS ARE IN METRES ABOVE GEODETIC MEAN SEA LEVEL.
4. ELEVATIONS NOTED ON THE CERTIFICATE ARE WITHIN 100mm OF ACTUAL.
5. THE BUILDER MUST CONSTRUCT WITHIN 100mm OF THE DESIGN LANDSCAPE ELEVATION & ILLUSTRATED DRAINAGE PATTERNS UNLESS OTHERWISE APPROVED BY THE DEVELOPMENT OFFICER.
6. IF THE INFORMATION ON THIS CERTIFICATE HAS BEEN PREPARED BY A PRIVATE DEVELOPER OR THEIR AGENT, THE CITY OF RED DEER ACCEPTS NO RESPONSIBILITY FOR ITS ACCURACY.



- LEGEND**
- SAN, WATER & STORM
 - ⊙ FIRE HYDRANT
 - G- GAS
 - ☀ POWER, TELEPHONE & CABLE SERVICE
 - STREET LIGHT
 - ⊠ COMMUNITY MAILBOX
 - TRANSFORMER
 - EL&P TRANSFORMER
 - SHAW PEDESTAL
 - ▲ TELEPHONE PEDESTAL
 - URD BOX



POWER SERVICE LOCATION IS 1.0m FROM SIDEYARD LOTLINE
 SANITARY AND WATER SERVICE LOCATION IS 3.0m FROM SIDEYARD LOTLINE
 DEPTH OF FILL EXCEEDS 1.2m (BEARING CERTIFICATE REQUIRED)

TOP OF FOOTING: MAX. DEPTH BELOW AVERAGE SIDEWALK = <u>2.06</u> LOWEST ELEVATION = <u>898.31</u>	CIVIC ADDRESS: <u>147 VANCOUVER CRESCENT</u> LOT: <u>110</u> BLOCK: <u>4</u> PLAN No.: _____ DEVELOPER: <u>MELCOR DEVELOPMENTS</u> SCALE: <u>1:500</u> DRAWN BY: <u>STANTEC CONSULTING LTD</u> DATE: <u>FEB 19, 2013</u> APPROVED BY: <u>KERRY SAUNDERS</u> DATE: <u>NOV 20, 2013</u> RECEIVED BY: _____ DATE: _____
AS-BUILT SEWER INVERT ELEVATIONS: SANITARY AT 5.0m INSIDE LOT = <u>897.46</u> STORM AT 5.0m INSIDE LOT = <u>897.46</u>	

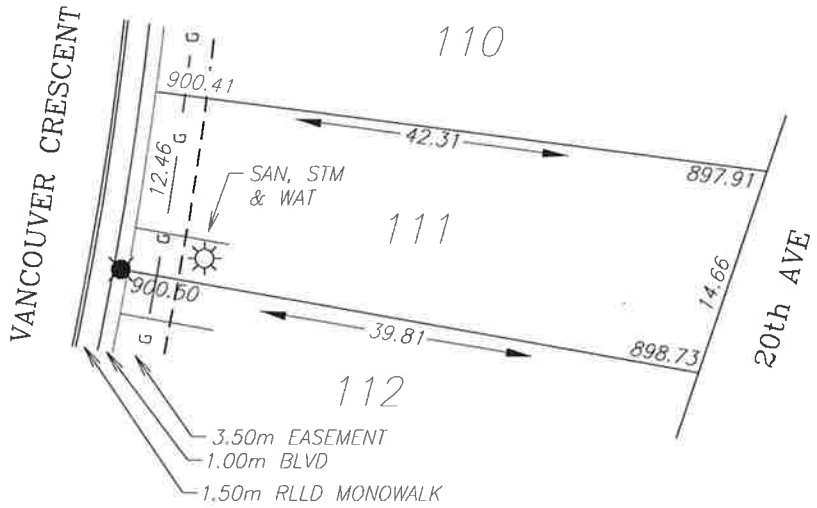
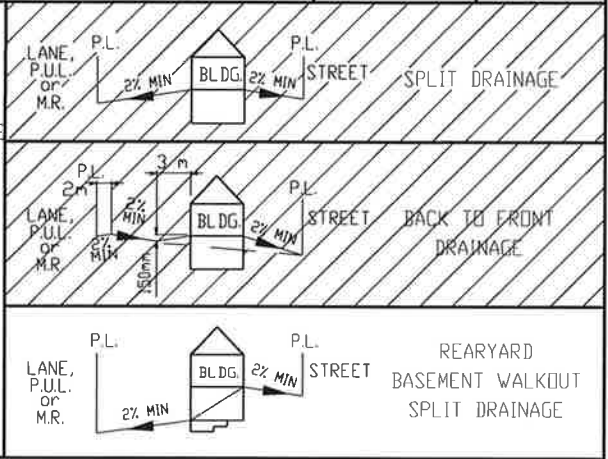
DESIGN LANDSCAPE ELEVATIONS ELEV. AT FRONT OF HOUSE = <u>900.71</u> ELEV. AT REAR OF HOUSE = <u>898.22</u>	I CERTIFY THAT THE FINAL LANDSCAPE GRADE WILL BE (FRONT) _____ (REAR) _____ SIGNATURE OF OWNER OR REPRESENTATIVE _____
--	---

BUILDING GRADE CERTIFICATE

City of Red Deer

Issued by: No.

1. WHEN EXCAVATING IN A RIGHT OF WAY (EASEMENT), CHECK FOR UTILITIES.
2. STANDING AT THE WATER SHUTOFF AND FACING THE BUILDING, THE SANITARY SERVICE (PAINTED RED) IS ON THE LEFT SIDE OF THE WATER SERVICE: STORM SERVICE (PAINTED GREEN) IS ON THE RIGHT SIDE OF THE WATER SERVICE.
3. ALL DIMENSIONS ARE IN METRES AND DECIMALS THERE OF. THE ELEVATIONS ARE IN METRES ABOVE GEODETIC MEAN SEA LEVEL.
4. ELEVATIONS NOTED ON THE CERTIFICATE ARE WITHIN 100mm OF ACTUAL.
5. THE BUILDER MUST CONSTRUCT WITHIN 100mm OF THE DESIGN LANDSCAPE ELEVATION & ILLUSTRATED DRAINAGE PATTERNS UNLESS OTHERWISE APPROVED BY THE DEVELOPMENT OFFICER.
6. IF THE INFORMATION ON THIS CERTIFICATE HAS BEEN PREPARED BY A PRIVATE DEVELOPER OR THEIR AGENT, THE CITY OF RED DEER ACCEPTS NO RESPONSIBILITY FOR ITS ACCURACY.



LEGEND

- SAN, WATER & STORM
- ☉ FIRE HYDRANT
- - - GAS
- ☀ POWER, TELEPHONE & CABLE SERVICE
- STREET LIGHT
- ☒ COMMUNITY MAILBOX
- TRANSFORMER
- EL&P TRANSFORMER
- SHAW PEDESTAL
- ▲ TELEPHONE PEDESTAL
- URD BOX

POWER SERVICE LOCATION IS 1.0m FROM SIDEYARD LOTLINE
 SANITARY AND WATER SERVICE LOCATION IS 3.0m FROM SIDEYARD LOTLINE
 DEPTH OF FILL EXCEEDS 1.2m (BEARING CERTIFICATE REQUIRED)

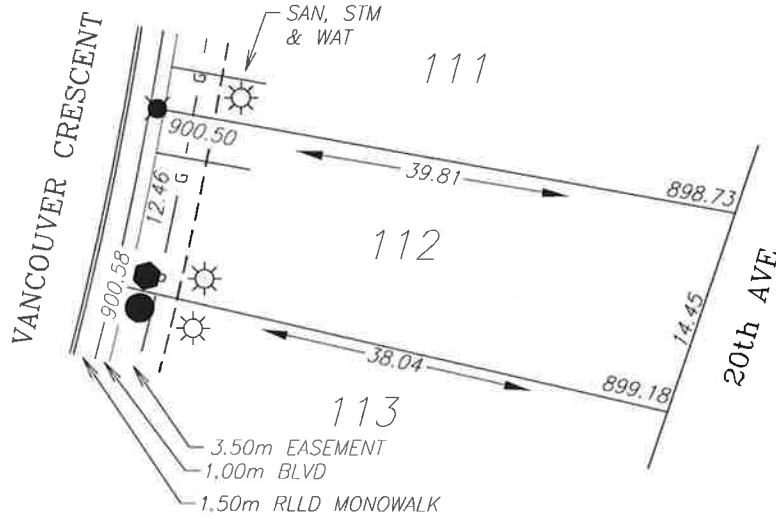
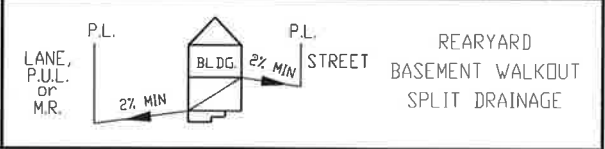
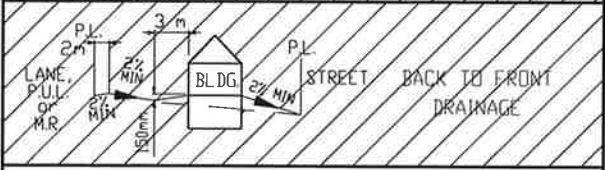
TOP OF FOOTING: MAX. DEPTH BELOW AVERAGE SIDEWALK = <u>2.05</u> LOWEST ELEVATION = <u>898.41</u>	CIVIC ADDRESS: <u>143 VANCOUVER CRESCENT</u> LOT: <u>111</u> BLOCK: <u>4</u> PLAN No.: _____ DEVELOPER: <u>MELCOR DEVELOPMENTS</u> SCALE: <u>1:500</u> DRAWN BY: <u>STANTEC CONSULTING LTD</u> DATE: <u>FEB 19, 2013</u> APPROVED BY: <u>KERRY SAUNDERS</u> DATE: <u>NOV 20, 2013</u> RECEIVED BY: _____ DATE: _____
AS-BUILT SEWER INVERT ELEVATIONS: SANITARY AT 5.0m INSIDE LOT = <u>897.56</u> STORM AT 5.0m INSIDE LOT = <u>897.56</u>	DESIGN LANDSCAPE ELEVATIONS ELEV. AT FRONT OF HOUSE = <u>900.80</u> ELEV. AT REAR OF HOUSE = <u>899.03</u>
I CERTIFY THAT THE FINAL LANDSCAPE GRADE WILL BE (FRONT) _____ (REAR) _____ SIGNATURE OF OWNER OR REPRESENTATIVE _____	

BUILDING GRADE CERTIFICATE

City of Red Deer

Issued by: No.

1. WHEN EXCAVATING IN A RIGHT OF WAY (EASEMENT), CHECK FOR UTILITIES.
2. STANDING AT THE WATER SHUTOFF AND FACING THE BUILDING, THE SANITARY SERVICE (PAINTED RED) IS ON THE LEFT SIDE OF THE WATER SERVICE; STORM SERVICE (PAINTED GREEN) IS ON THE RIGHT SIDE OF THE WATER SERVICE.
3. ALL DIMENSIONS ARE IN METRES AND DECIMALS THERE OF. THE ELEVATIONS ARE IN METRES ABOVE GEODETIC MEAN SEA LEVEL.
4. ELEVATIONS NOTED ON THE CERTIFICATE ARE WITHIN 100mm OF ACTUAL.
5. THE BUILDER MUST CONSTRUCT WITHIN 100mm OF THE DESIGN LANDSCAPE ELEVATION & ILLUSTRATED DRAINAGE PATTERNS UNLESS OTHERWISE APPROVED BY THE DEVELOPMENT OFFICER.
6. IF THE INFORMATION ON THIS CERTIFICATE HAS BEEN PREPARED BY A PRIVATE DEVELOPER OR THEIR AGENT, THE CITY OF RED DEER ACCEPTS NO RESPONSIBILITY FOR ITS ACCURACY.



LEGEND

- SAN, WATER & STORM
- ☉ FIRE HYDRANT
- - - GAS
- ☀ POWER, TELEPHONE & CABLE SERVICE
- STREET LIGHT
- ☒ COMMUNITY MAILBOX
- TRANSFORMER
- EL&P TRANSFORMER
- SHAW PEDESTAL
- ▲ TELEPHONE PEDESTAL
- ◆ URD BOX

POWER SERVICE LOCATION IS 1.0m FROM SIDEYARD LOTLINE
 SANITARY AND WATER SERVICE LOCATION IS 3.0m FROM SIDEYARD LOTLINE
 DEPTH OF FILL EXCEEDS 1.2m (BEARING CERTIFICATE REQUIRED)

TOP OF FOOTING: MAX. DEPTH BELOW AVERAGE SIDEWALK = <u>2.13</u> LOWEST ELEVATION = <u>898.41</u>	CIVIC ADDRESS: <u>139 VANCOUVER CRESCENT</u> LOT: <u>112</u> BLOCK: <u>4</u> PLAN No.: _____ DEVELOPER: <u>MELCOR DEVELOPMENTS</u> SCALE: <u>1:500</u> DRAWN BY: <u>STANTEC CONSULTING LTD</u> DATE: <u>FEB 19, 2013</u> APPROVED BY: <u>KERRY SAUNDERS</u> DATE: <u>NOV 20, 2013</u> RECEIVED BY: _____ DATE: _____
AS-BUILT SEWER INVERT ELEVATIONS: SANITARY AT 5.0m INSIDE LOT = <u>897.56</u> STORM AT 5.0m INSIDE LOT = <u>897.56</u>	

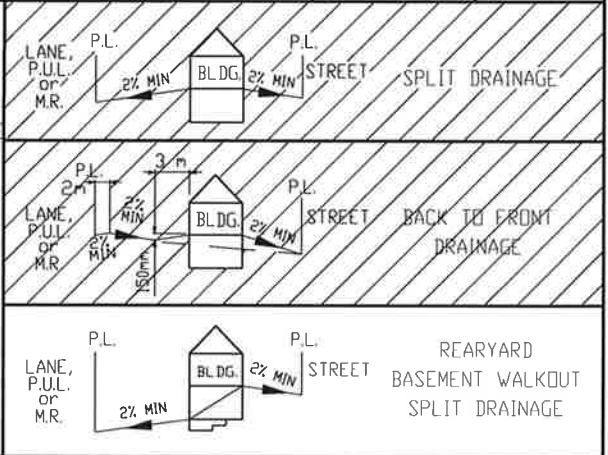
DESIGN LANDSCAPE ELEVATIONS ELEV. AT FRONT OF HOUSE = <u>900.88</u> ELEV. AT REAR OF HOUSE = <u>898.48</u>	I CERTIFY THAT THE FINAL LANDSCAPE GRADE WILL BE (FRONT) _____ (REAR) _____ SIGNATURE OF OWNER OR REPRESENTATIVE _____
--	--

BUILDING GRADE CERTIFICATE

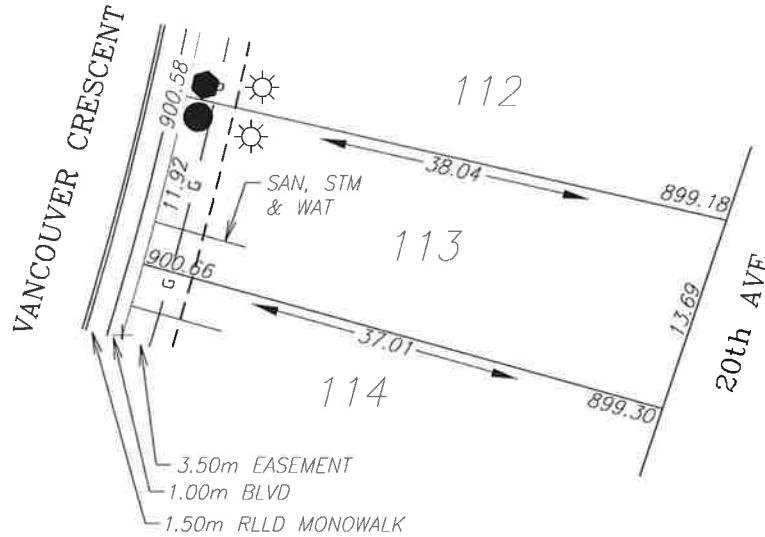
City of Red Deer

Issued by: No.

1. WHEN EXCAVATING IN A RIGHT OF WAY (EASEMENT), CHECK FOR UTILITIES.
2. STANDING AT THE WATER SHUTOFF AND FACING THE BUILDING, THE SANITARY SERVICE (PAINTED RED) IS ON THE LEFT SIDE OF THE WATER SERVICE: STORM SERVICE (PAINTED GREEN) IS ON THE RIGHT SIDE OF THE WATER SERVICE.
3. ALL DIMENSIONS ARE IN METRES AND DECIMALS THERE OF. THE ELEVATIONS ARE IN METRES ABOVE GEODETIC MEAN SEA LEVEL.
4. ELEVATIONS NOTED ON THE CERTIFICATE ARE WITHIN 100mm OF ACTUAL.
5. THE BUILDER MUST CONSTRUCT WITHIN 100mm OF THE DESIGN LANDSCAPE ELEVATION & ILLUSTRATED DRAINAGE PATTERNS UNLESS OTHERWISE APPROVED BY THE DEVELOPMENT OFFICER.
6. IF THE INFORMATION ON THIS CERTIFICATE HAS BEEN PREPARED BY A PRIVATE DEVELOPER OR THEIR AGENT, THE CITY OF RED DEER ACCEPTS NO RESPONSIBILITY FOR ITS ACCURACY.



- LEGEND**
- SAN, WATER & STORM
 - ⊙ FIRE HYDRANT
 - o- GAS
 - ☀ POWER, TELEPHONE & CABLE SERVICE
 - STREET LIGHT
 - ⊠ COMMUNITY MAILBOX
 - TRANSFORMER
 - EL&P TRANSFORMER
 - SHAW PEDESTAL
 - ▲ TELEPHONE PEDESTAL
 - URD BOX



POWER SERVICE LOCATION IS 1.0m FROM SIDEYARD LOTLINE
 SANITARY AND WATER SERVICE LOCATION IS 3.0m FROM SIDEYARD LOTLINE
 DEPTH OF FILL EXCEEDS 1.2m (BEARING CERTIFICATE REQUIRED)

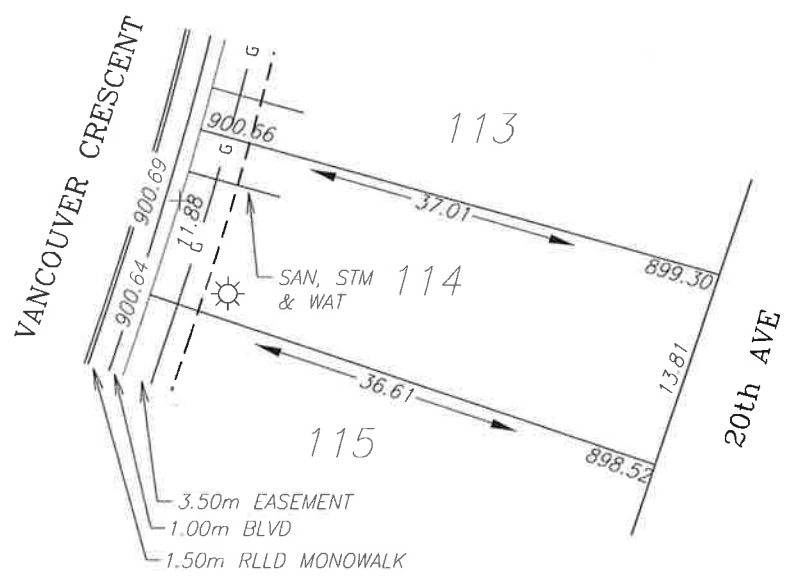
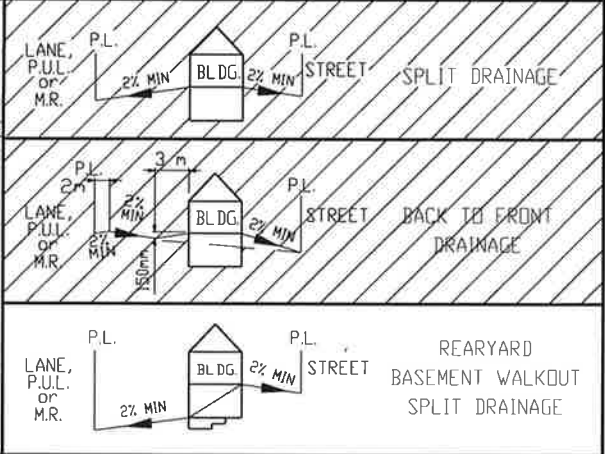
TOP OF FOOTING: MAX. DEPTH BELOW AVERAGE SIDEWALK = <u>2.12</u> LOWEST ELEVATION = <u>898.50</u>	CIVIC ADDRESS: <u>135 VANCOUVER CRESCENT</u> LOT: <u>113</u> BLOCK: <u>4</u> PLAN No.: _____ DEVELOPER: <u>MELCOR DEVELOPMENTS</u> SCALE: <u>1:500</u> DRAWN BY: <u>STANTEC CONSULTING LTD</u> DATE: <u>FEB 19, 2013</u> APPROVED BY: <u>KERRY SAUNDERS</u> DATE: <u>NOV 20, 2013</u> RECEIVED BY: _____ DATE: _____
AS-BUILT SEWER INVERT ELEVATIONS: SANITARY AT 5.0m INSIDE LOT = <u>897.65</u> STORM AT 5.0m INSIDE LOT = <u>897.65</u>	DESIGN LANDSCAPE ELEVATIONS ELEV. AT FRONT OF HOUSE = <u>900.96</u> ELEV. AT REAR OF HOUSE = <u>899.60</u>
I CERTIFY THAT THE FINAL LANDSCAPE GRADE WILL BE (FRONT) _____ (REAR) _____ SIGNATURE OF OWNER OR REPRESENTATIVE _____	

BUILDING GRADE CERTIFICATE

City of Red Deer

Issued by: _____ No. _____

1. WHEN EXCAVATING IN A RIGHT OF WAY (EASEMENT), CHECK FOR UTILITIES.
2. STANDING AT THE WATER SHUTOFF AND FACING THE BUILDING, THE SANITARY SERVICE (PAINTED RED) IS ON THE LEFT SIDE OF THE WATER SERVICE; STORM SERVICE (PAINTED GREEN) IS ON THE RIGHT SIDE OF THE WATER SERVICE.
3. ALL DIMENSIONS ARE IN METRES AND DECIMALS THERE OF. THE ELEVATIONS ARE IN METRES ABOVE GEODETIC MEAN SEA LEVEL.
4. ELEVATIONS NOTED ON THE CERTIFICATE ARE WITHIN 100mm OF ACTUAL.
5. THE BUILDER MUST CONSTRUCT WITHIN 100mm OF THE DESIGN LANDSCAPE ELEVATION & ILLUSTRATED DRAINAGE PATTERNS UNLESS OTHERWISE APPROVED BY THE DEVELOPMENT OFFICER.
6. IF THE INFORMATION ON THIS CERTIFICATE HAS BEEN PREPARED BY A PRIVATE DEVELOPER OR THEIR AGENT, THE CITY OF RED DEER ACCEPTS NO RESPONSIBILITY FOR ITS ACCURACY.



LEGEND

- SAN, WATER & STORM
- ⊙ FIRE HYDRANT
- - - GAS
- ☀ POWER, TELEPHONE & CABLE SERVICE
- STREET LIGHT
- ☒ COMMUNITY MAILBOX
- TRANSFORMER
- EL&P TRANSFORMER
- SHAW PEDESTAL
- ▲ TELEPHONE PEDESTAL
- URD BOX

POWER SERVICE LOCATION IS 1.0m FROM SIDEYARD LOTLINE
 SANITARY AND WATER SERVICE LOCATION IS 3.0m FROM SIDEYARD LOTLINE
 DEPTH OF FILL EXCEEDS 1.2m (BEARING CERTIFICATE REQUIRED)

TOP OF FOOTING:
 MAX. DEPTH BELOW AVERAGE SIDEWALK = 2.14
 LOWEST ELEVATION = 898.52

AS-BUILT SEWER INVERT ELEVATIONS:
 SANITARY AT 5.0m INSIDE LOT = 897.67
 STORM AT 5.0m INSIDE LOT = 897.67

CIVIC ADDRESS: 131 VANCOUVER CRESCENT
 LOT: 114 BLOCK: 4 PLAN No.: _____
 DEVELOPER: MELCOR DEVELOPMENTS SCALE: 1:500
 DRAWN BY: STANTEC CONSULTING LTD DATE: FEB 19, 2013
 APPROVED BY: KERRY SAUNDERS DATE: NOV 20, 2013
 RECEIVED BY: _____ DATE: _____

DESIGN LANDSCAPE ELEVATIONS
 ELEV. AT FRONT OF HOUSE = 900.99
 ELEV. AT REAR OF HOUSE = 899.60

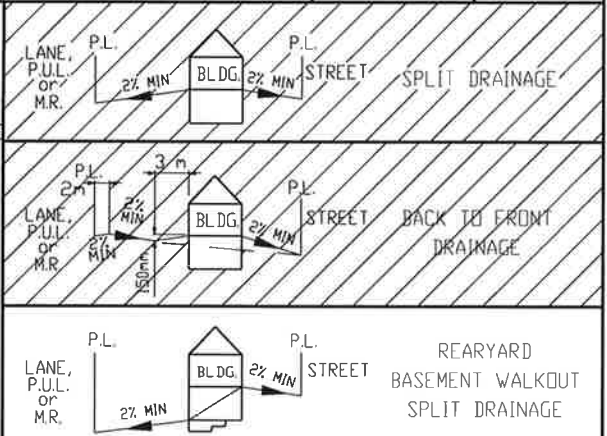
I CERTIFY THAT THE FINAL LANDSCAPE GRADE WILL BE (FRONT) _____
 (REAR) _____
 SIGNATURE OF OWNER OR REPRESENTATIVE _____

BUILDING GRADE CERTIFICATE

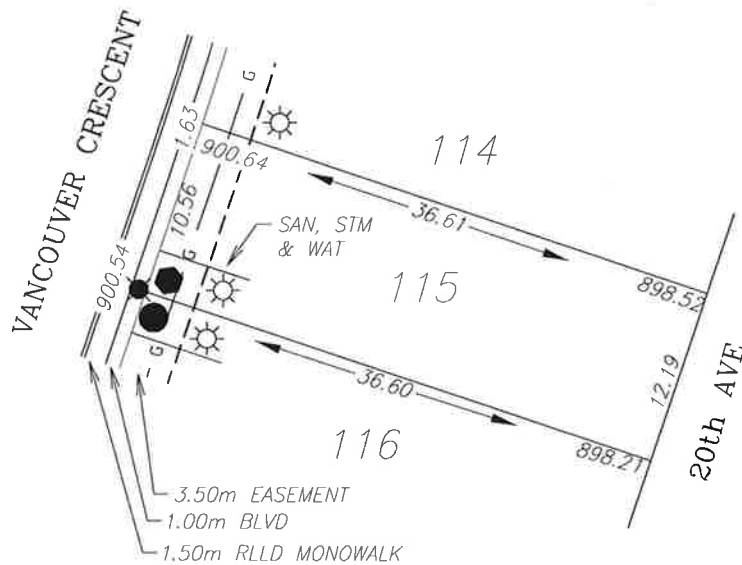
City of Red Deer

Issued by: No.

1. WHEN EXCAVATING IN A RIGHT OF WAY (EASEMENT), CHECK FOR UTILITIES.
2. STANDING AT THE WATER SHUTOFF AND FACING THE BUILDING, THE SANITARY SERVICE (PAINTED RED) IS ON THE LEFT SIDE OF THE WATER SERVICE: STORM SERVICE (PAINTED GREEN) IS ON THE RIGHT SIDE OF THE WATER SERVICE.
3. ALL DIMENSIONS ARE IN METRES AND DECIMALS THERE OF. THE ELEVATIONS ARE IN METRES ABOVE GEODETIC MEAN SEA LEVEL.
4. ELEVATIONS NOTED ON THE CERTIFICATE ARE WITHIN 100mm OF ACTUAL.
5. THE BUILDER MUST CONSTRUCT WITHIN 100mm OF THE DESIGN LANDSCAPE ELEVATION & ILLUSTRATED DRAINAGE PATTERNS UNLESS OTHERWISE APPROVED BY THE DEVELOPMENT OFFICER.
6. IF THE INFORMATION ON THIS CERTIFICATE HAS BEEN PREPARED BY A PRIVATE DEVELOPER OR THEIR AGENT, THE CITY OF RED DEER ACCEPTS NO RESPONSIBILITY FOR ITS ACCURACY.



- LEGEND
- SAN, WATER & STORM
 - ⊙ FIRE HYDRANT
 - o- GAS
 - ☀ POWER, TELEPHONE & CABLE SERVICE
 - STREET LIGHT
 - ⊠ COMMUNITY MAILBOX
 - TRANSFORMER
 - EL&P TRANSFORMER
 - SHAW PEDESTAL
 - ▲ TELEPHONE PEDESTAL
 - URD BOX



POWER SERVICE LOCATION IS 1.0m FROM SIDEYARD LOTLINE
 SANITARY AND WATER SERVICE LOCATION IS 3.0m FROM SIDEYARD LOTLINE
 DEPTH OF FILL EXCEEDS 1.2m (BEARING CERTIFICATE REQUIRED)

TOP OF FOOTING: MAX. DEPTH BELOW AVERAGE SIDEWALK = <u>1.72</u> LOWEST ELEVATION = <u>898.87</u>	CIVIC ADDRESS: <u>127 VANCOUVER CRESCENT</u> LOT: <u>115</u> BLOCK: <u>4</u> PLAN No.: _____ DEVELOPER: <u>MELCOR DEVELOPMENTS</u> SCALE: <u>1:500</u> DRAWN BY: <u>STANTEC CONSULTING LTD</u> DATE: <u>FEB 19, 2013</u> APPROVED BY: <u>KERRY SAUNDERS</u> DATE: <u>NOV 20, 2013</u> RECEIVED BY: _____ DATE: _____
AS-BUILT SEWER INVERT ELEVATIONS: SANITARY AT 5.0m INSIDE LOT = <u>898.02</u> STORM AT 5.0m INSIDE LOT = <u>898.02</u>	

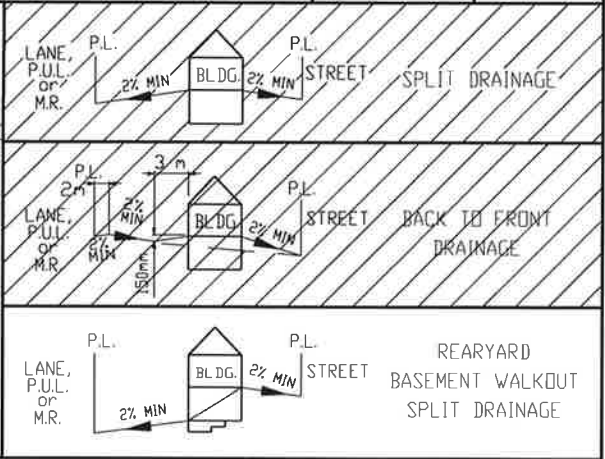
DESIGN LANDSCAPE ELEVATIONS ELEV. AT FRONT OF HOUSE = <u>900.94</u> ELEV. AT RFAR OF HOUSE = <u>898.82</u>	I CERTIFY THAT THE FINAL LANDSCAPE GRADE WILL BE (FRONT) _____ (REAR) _____ SIGNATURE OF OWNER OR REPRESENTATIVE _____
--	---

BUILDING GRADE CERTIFICATE

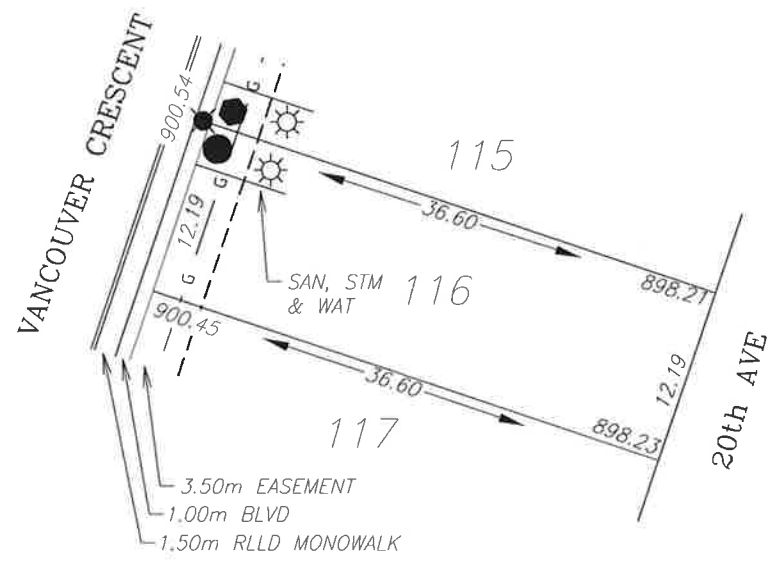
City of Red Deer

Issued by: No.

1. WHEN EXCAVATING IN A RIGHT OF WAY (EASEMENT), CHECK FOR UTILITIES.
2. STANDING AT THE WATER SHUTOFF AND FACING THE BUILDING, THE SANITARY SERVICE (PAINTED RED) IS ON THE LEFT SIDE OF THE WATER SERVICE: STORM SERVICE (PAINTED GREEN) IS ON THE RIGHT SIDE OF THE WATER SERVICE.
3. ALL DIMENSIONS ARE IN METRES AND DECIMALS THERE OF. THE ELEVATIONS ARE IN METRES ABOVE GEODETIC MEAN SEA LEVEL.
4. ELEVATIONS NOTED ON THE CERTIFICATE ARE WITHIN 100mm OF ACTUAL.
5. THE BUILDER MUST CONSTRUCT WITHIN 100mm OF THE DESIGN LANDSCAPE ELEVATION & ILLUSTRATED DRAINAGE PATTERNS UNLESS OTHERWISE APPROVED BY THE DEVELOPMENT OFFICER.
6. IF THE INFORMATION ON THIS CERTIFICATE HAS BEEN PREPARED BY A PRIVATE DEVELOPER OR THEIR AGENT, THE CITY OF RED DEER ACCEPTS NO RESPONSIBILITY FOR ITS ACCURACY.



- LEGEND**
- SAN, WATER & STORM
 - ⊙ FIRE HYDRANT
 - - GAS
 - ☀ POWER, TELEPHONE & CABLE SERVICE
 - STREET LIGHT
 - ⊠ COMMUNITY MAILBOX
 - TRANSFORMER
 - EL&P TRANSFORMER
 - SHAW PEDESTAL
 - ▲ TELEPHONE PEDESTAL
 - URD BOX



POWER SERVICE LOCATION IS 1.0m FROM SIDEYARD LOTLINE
 SANITARY AND WATER SERVICE LOCATION IS 3.0m FROM SIDEYARD LOTLINE
 DEPTH OF FILL EXCEEDS 1.2m (BEARING CERTIFICATE REQUIRED)

TOP OF FOOTING: MAX. DEPTH BELOW AVERAGE SIDEWALK = 1.61 LOWEST ELEVATION = 898.89	CIVIC ADDRESS: 123 VANCOUVER CRESCENT LOT: 116 BLOCK: 4 PLAN No.: DEVELOPER: MELCOR DEVELOPMENTS SCALE: 1:500 DRAWN BY: STANTEC CONSULTING LTD DATE: FEB 19, 2013 APPROVED BY: KERRY SAUNDERS DATE: NOV 20, 2013 RECEIVED BY: DATE:
AS-BUILT SEWER INVERT ELEVATIONS: SANITARY AT 5.0m INSIDE LOT = 898.04 STORM AT 5.0m INSIDE LOT = 898.04	

DESIGN LANDSCAPE ELEVATIONS
 ELEV. AT FRONT OF HOUSE = 900.84
 ELEV. AT REAR OF HOUSE = 898.53

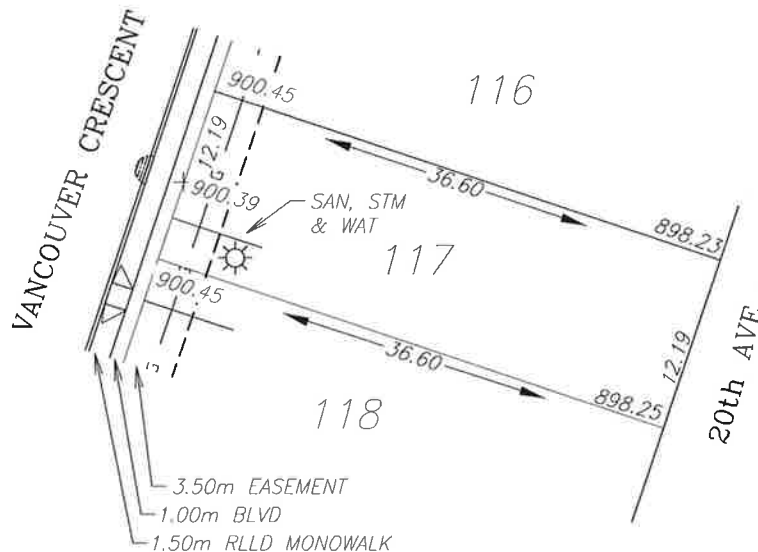
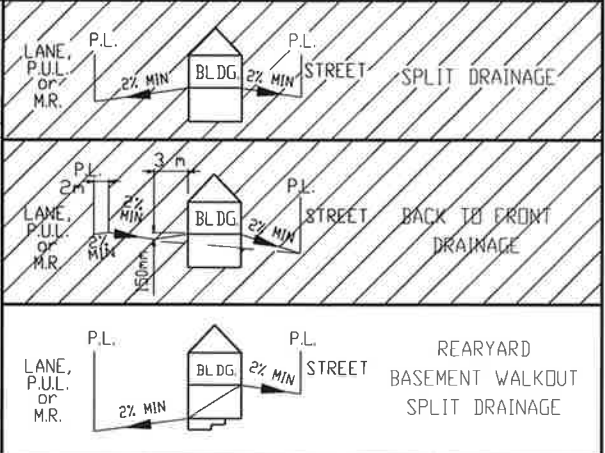
I CERTIFY THAT THE FINAL LANDSCAPE GRADE WILL BE (FRONT) _____ (REAR) _____
 SIGNATURE OF OWNER OR REPRESENTATIVE _____

BUILDING GRADE CERTIFICATE

City of Red Deer

Issued by: No.

1. WHEN EXCAVATING IN A RIGHT OF WAY (EASEMENT), CHECK FOR UTILITIES.
2. STANDING AT THE WATER SHUTOFF AND FACING THE BUILDING, THE SANITARY SERVICE (PAINTED RED) IS ON THE LEFT SIDE OF THE WATER SERVICE; STORM SERVICE (PAINTED GREEN) IS ON THE RIGHT SIDE OF THE WATER SERVICE.
3. ALL DIMENSIONS ARE IN METRES AND DECIMALS THERE OF. THE ELEVATIONS ARE IN METRES ABOVE GEODETIC MEAN SEA LEVEL.
4. ELEVATIONS NOTED ON THE CERTIFICATE ARE WITHIN 100mm OF ACTUAL.
5. THE BUILDER MUST CONSTRUCT WITHIN 100mm OF THE DESIGN LANDSCAPE ELEVATION & ILLUSTRATED DRAINAGE PATTERNS UNLESS OTHERWISE APPROVED BY THE DEVELOPMENT OFFICER.
6. IF THE INFORMATION ON THIS CERTIFICATE HAS BEEN PREPARED BY A PRIVATE DEVELOPER OR THEIR AGENT, THE CITY OF RED DEER ACCEPTS NO RESPONSIBILITY FOR ITS ACCURACY.



LEGEND

- SAN, WATER & STORM
- ⊙ FIRE HYDRANT
- o- GAS
- ☀ POWER, TELEPHONE & CABLE SERVICE
- STREET LIGHT
- ⊠ COMMUNITY MAILBOX
- TRANSFORMER
- EL&P TRANSFORMER
- SHAW PEDESTAL
- ▲ TELEPHONE PEDESTAL
- URD BOX

POWER SERVICE LOCATION IS 1.0m FROM SIDEYARD LOTLINE
 SANITARY AND WATER SERVICE LOCATION IS 3.0m FROM SIDEYARD LOTLINE
 DEPTH OF FILL EXCEEDS 1.2m (BEARING CERTIFICATE REQUIRED)

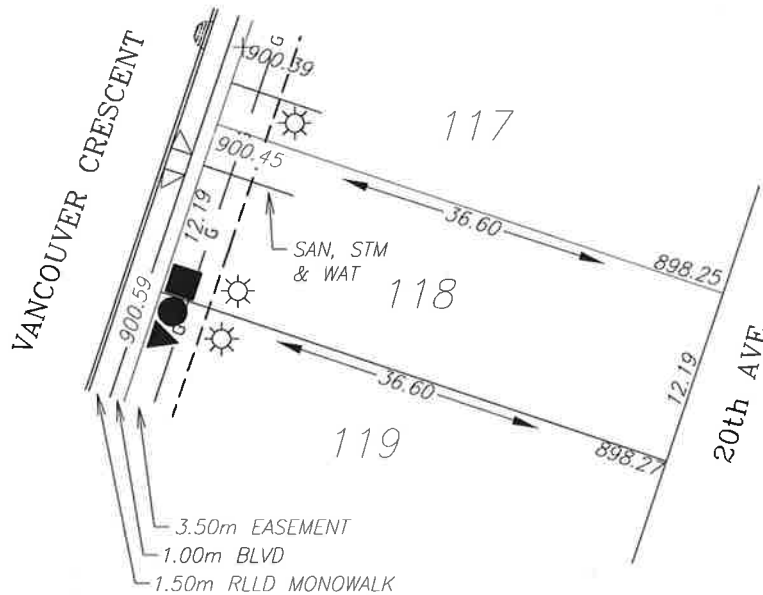
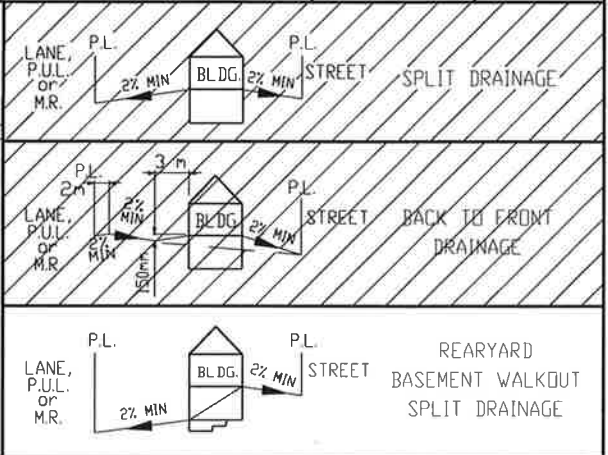
TOP OF FOOTING: MAX. DEPTH BELOW AVERAGE SIDEWALK = <u>1.60</u> LOWEST ELEVATION = <u>898.82</u>	CIVIC ADDRESS: <u>119 VANCOUVER CRESCENT</u> LOT: <u>117</u> BLOCK: <u>4</u> PLAN No.: _____ DEVELOPER: <u>MELCOR DEVELOPMENTS</u> SCALE: <u>1:500</u> DRAWN BY: <u>STANTEC CONSULTING LTD</u> DATE: <u>FEB 19, 2013</u> APPROVED BY: <u>KERRY SAUNDERS</u> DATE: <u>NOV 20, 2013</u> RECEIVED BY: _____ DATE: _____
AS-BUILT SEWER INVERT ELEVATIONS: SANITARY AT 5.0m INSIDE LOT = <u>897.97</u> STORM AT 5.0m INSIDE LOT = <u>897.97</u>	I CERTIFY THAT THE FINAL LANDSCAPE GRADE WILL BE (FRONT) _____ (REAR) _____ SIGNATURE OF OWNFR OR REPRESENTATIVE _____
DESIGN LANDSCAPE ELEVATIONS ELEV. AT FRONT OF HOUSE = <u>900.75</u> ELEV. AT REAR OF HOUSE = <u>898.55</u>	

BUILDING GRADE CERTIFICATE

City of Red Deer

Issued by: No.

1. WHEN EXCAVATING IN A RIGHT OF WAY (EASEMENT), CHECK FOR UTILITIES.
2. STANDING AT THE WATER SHUTOFF AND FACING THE BUILDING, THE SANITARY SERVICE (PAINTED RED) IS ON THE LEFT SIDE OF THE WATER SERVICE; STORM SERVICE (PAINTED GREEN) IS ON THE RIGHT SIDE OF THE WATER SERVICE.
3. ALL DIMENSIONS ARE IN METRES AND DECIMALS THERE OF. THE ELEVATIONS ARE IN METRES ABOVE GEODETIC MEAN SEA LEVEL.
4. ELEVATIONS NOTED ON THE CERTIFICATE ARE WITHIN 100mm OF ACTUAL.
5. THE BUILDER MUST CONSTRUCT WITHIN 100mm OF THE DESIGN LANDSCAPE ELEVATION & ILLUSTRATED DRAINAGE PATTERNS UNLESS OTHERWISE APPROVED BY THE DEVELOPMENT OFFICER.
6. IF THE INFORMATION ON THIS CERTIFICATE HAS BEEN PREPARED BY A PRIVATE DEVELOPER OR THEIR AGENT, THE CITY OF RED DEER ACCEPTS NO RESPONSIBILITY FOR ITS ACCURACY.



LEGEND

- SAN, WATER & STORM
- ⊙ FIRE HYDRANT
- - - GAS
- ☀ POWER, TELEPHONE & CABLE SERVICE
- STREET LIGHT
- ⊠ COMMUNITY MAILBOX
- TRANSFORMER
- EL&P TRANSFORMER
- SHAW PEDESTAL
- ▲ TELEPHONE PEDESTAL
- URD BOX

POWER SERVICE LOCATION IS 1.0m FROM SIDEYARD LOTLINE
 SANITARY AND WATER SERVICE LOCATION IS 3.0m FROM SIDEYARD LOTLINE
 DEPTH OF FILL EXCEEDS 1.2m (BEARING CERTIFICATE REQUIRED)

TOP OF FOOTING:
 MAX. DEPTH BELOW AVERAGE SIDEWALK = 1.69
 LOWEST ELEVATION = 898.83

AS-BUILT SEWER INVERT ELEVATIONS:
 SANITARY AT 5.0m INSIDE LOT = 897.98
 STORM AT 5.0m INSIDE LOT = 897.98

CIVIC ADDRESS: 115 VANCOUVER CRESCENT
 LOT: 118 BLOCK: 4 PLAN No.:
 DEVELOPER: MELCOR DEVELOPMENTS SCALE: 1:500
 DRAWN BY: STANTEC CONSULTING LTD DATE: FEB 19, 2013
 APPROVED BY: KERRY SAUNDERS DATE: NOV 20, 2013
 RECEIVED BY: DATE:

DESIGN LANDSCAPE ELEVATIONS
 ELEV. AT FRONT OF HOUSE = 900.89
 ELEV. AT REAR OF HOUSE = 898.57

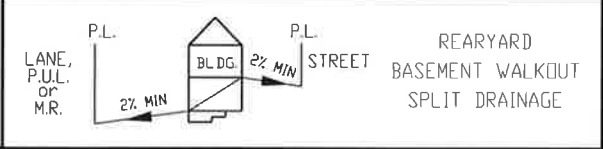
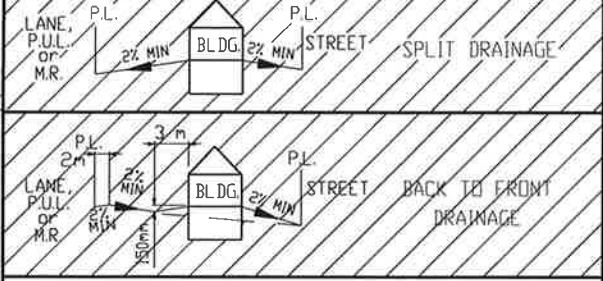
I CERTIFY THAT THE FINAL LANDSCAPE GRADE WILL BE (FRONT) _____ (REAR) _____
 SIGNATURE OF OWNER OR REPRESENTATIVE _____

BUILDING GRADE CERTIFICATE

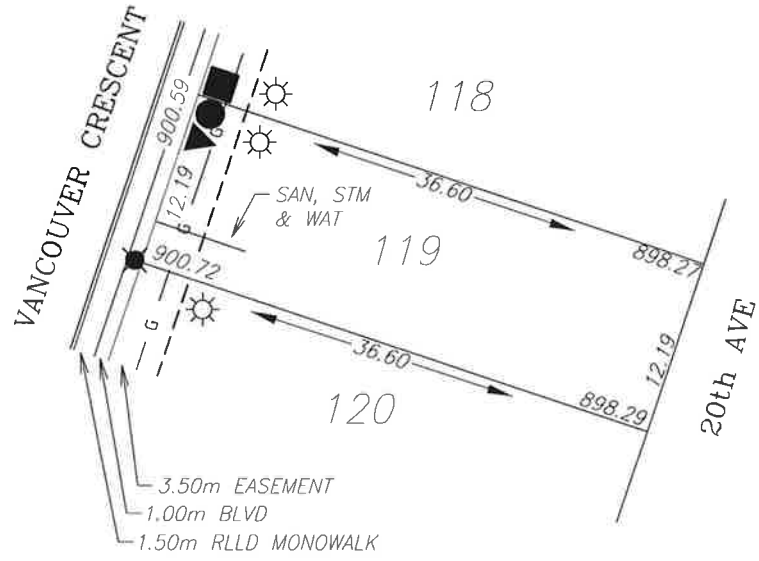
City of Red Deer

Issued by: No.

1. WHEN EXCAVATING IN A RIGHT OF WAY (EASEMENT), CHECK FOR UTILITIES.
2. STANDING AT THE WATER SHUTOFF AND FACING THE BUILDING, THE SANITARY SERVICE (PAINTED RED) IS ON THE LEFT SIDE OF THE WATER SERVICE: STORM SERVICE (PAINTED GREEN) IS ON THE RIGHT SIDE OF THE WATER SERVICE.
3. ALL DIMENSIONS ARE IN METRES AND DECIMALS THERE OF. THE ELEVATIONS ARE IN METRES ABOVE GEODETIC MEAN SEA LEVEL.
4. ELEVATIONS NOTED ON THE CERTIFICATE ARE WITHIN 100mm OF ACTUAL.
5. THE BUILDER MUST CONSTRUCT WITHIN 100mm OF THE DESIGN LANDSCAPE ELEVATION & ILLUSTRATED DRAINAGE PATTERNS UNLESS OTHERWISE APPROVED BY THE DEVELOPMENT OFFICER.
6. IF THE INFORMATION ON THIS CERTIFICATE HAS BEEN PREPARED BY A PRIVATE DEVELOPER OR THEIR AGENT, THE CITY OF RED DEER ACCEPTS NO RESPONSIBILITY FOR ITS ACCURACY.



- LEGEND
- SAN, WATER & STORM
 - ⊙ FIRE HYDRANT
 - - - GAS
 - ☀ POWER, TELEPHONE & CABLE SERVICE
 - STREET LIGHT
 - ⊠ COMMUNITY MAILBOX
 - TRANSFORMER
 - EL&P TRANSFORMER
 - SHAW PEDESTAL
 - ▲ TELEPHONE PEDESTAL
 - URD BOX



POWER SERVICE LOCATION IS 1.0m FROM SIDEYARD LOTLINE
 SANITARY AND WATER SERVICE LOCATION IS 3.0m FROM SIDEYARD LOTLINE
 DEPTH OF FILL EXCEEDS 1.2m (BEARING CERTIFICATE REQUIRED)

TOP OF FOOTING: MAX. DEPTH BELOW AVERAGE SIDEWALK = <u>1.77</u> LOWEST ELEVATION = <u>898.89</u>
AS-BUILT SEWER INVERT ELEVATIONS: SANITARY AT 5.0m INSIDE LOT = <u>898.04</u> STORM AT 5.0m INSIDE LOT = <u>898.04</u>

CIVIC ADDRESS: 111 VANCOUVER CRESCENT

LOT: 119 BLOCK: 4 PLAN No.: _____

DEVELOPER: MELCOR DEVELOPMENTS SCALE: 1:500

DRAWN BY: STANTEC CONSULTING LTD DATE: FEB 19, 2013

APPROVED BY: KERRY SAUNDERS DATE: NOV 20, 2013

RECEIVED BY: _____ DATE: _____

DESIGN LANDSCAPE ELEVATIONS

ELEV. AT FRONT OF HOUSE = 901.02

ELEV. AT REAR OF HOUSE = 898.59

I CERTIFY THAT THE FINAL LANDSCAPE GRADE WILL BE (FRONT) _____ (REAR) _____

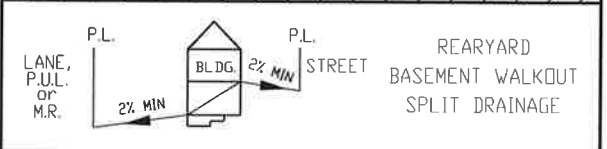
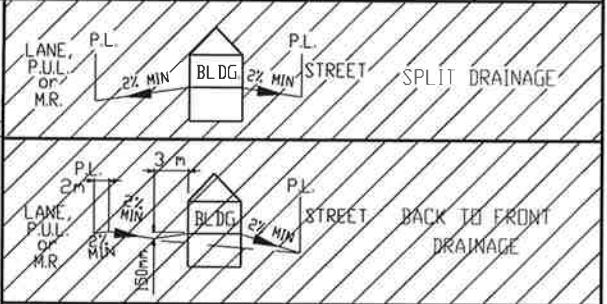
SIGNATURE OF OWNER OR REPRESENTATIVE _____

BUILDING GRADE CERTIFICATE

City of Red Deer

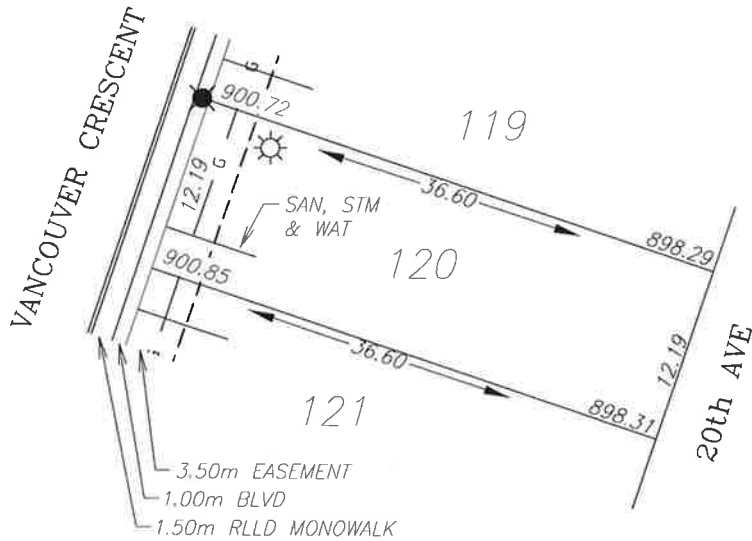
Issued by: _____ No. _____

1. WHEN EXCAVATING IN A RIGHT OF WAY (EASEMENT), CHECK FOR UTILITIES.
2. STANDING AT THE WATER SHUTOFF AND FACING THE BUILDING, THE SANITARY SERVICE (PAINTED RED) IS ON THE LEFT SIDE OF THE WATER SERVICE; STORM SERVICE (PAINTED GREEN) IS ON THE RIGHT SIDE OF THE WATER SERVICE.
3. ALL DIMENSIONS ARE IN METRES AND DECIMALS THERE OF. THE ELEVATIONS ARE IN METRES ABOVE GEODETIC MEAN SEA LEVEL.
4. ELEVATIONS NOTED ON THE CERTIFICATE ARE WITHIN 100mm OF ACTUAL.
5. THE BUILDER MUST CONSTRUCT WITHIN 100mm OF THE DESIGN LANDSCAPE ELEVATION & ILLUSTRATED DRAINAGE PATTERNS UNLESS OTHERWISE APPROVED BY THE DEVELOPMENT OFFICER.
6. IF THE INFORMATION ON THIS CERTIFICATE HAS BEEN PREPARED BY A PRIVATE DEVELOPER OR THEIR AGENT, THE CITY OF RED DEER ACCEPTS NO RESPONSIBILITY FOR ITS ACCURACY.



LEGEND

- SAN, WATER & STORM
- ⊙ FIRE HYDRANT
- G- GAS
- ☀ POWER, TELEPHONE & CABLE SERVICE
- STREET LIGHT
- ☒ COMMUNITY MAILBOX
- TRANSFORMER
- EL&P TRANSFORMER
- SHAW PEDESTAL
- ▲ TELEPHONE PEDESTAL
- URD BOX



POWER SERVICE LOCATION IS 1.0m FROM SIDEYARD LOTLINE
 SANITARY AND WATER SERVICE LOCATION IS 3.0m FROM SIDEYARD LOTLINE
 DEPTH OF FILL EXCEEDS 1.2m (BEARING CERTIFICATE REQUIRED)

TOP OF FOOTING:
 MAX. DEPTH BELOW AVERAGE SIDEWALK = 1.87
 LOWEST ELEVATION = 898.92

CIVIC ADDRESS: 107 VANCOUVER CRESCENT

LOT: 120 BLOCK: 4 PLAN No.:

DEVELOPER: MELCOR DEVELOPMENTS SCALE: 1:500

AS-BUILT SEWER INVERT ELEVATIONS:
 SANITARY AT 5.0m INSIDE LOT = 898.07
 STORM AT 5.0m INSIDE LOT = 898.07

DRAWN BY: STANTEC CONSULTING LTD DATE: FEB 19, 2013

APPROVED BY: KERRY SAUNDERS DATE: NOV 20, 2013

RECEIVED BY: _____ DATE: _____

DESIGN LANDSCAPE ELEVATIONS
 ELEV. AT FRONT OF HOUSE = 901.15
 ELEV. AT REAR OF HOUSE = 898.61

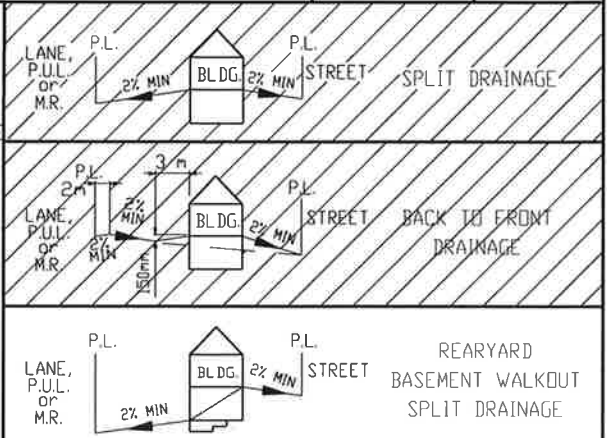
I CERTIFY THAT THE FINAL LANDSCAPE GRADE WILL BE (FRONT) _____
 (REAR) _____
 SIGNATURE OF OWNER OR REPRESENTATIVE _____

BUILDING GRADE CERTIFICATE

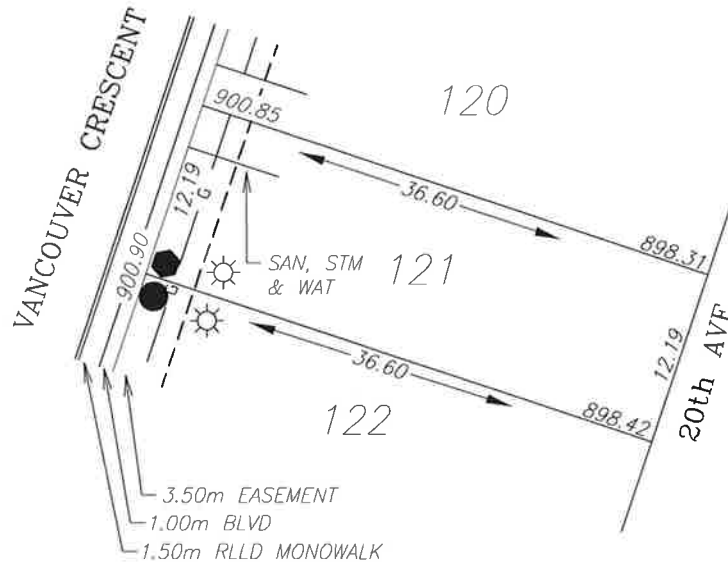
City of Red Deer

Issued by: No.

1. WHEN EXCAVATING IN A RIGHT OF WAY (EASEMENT), CHECK FOR UTILITIES.
2. STANDING AT THE WATER SHUTOFF AND FACING THE BUILDING, THE SANITARY SERVICE (PAINTED RED) IS ON THE LEFT SIDE OF THE WATER SERVICE; STORM SERVICE (PAINTED GREEN) IS ON THE RIGHT SIDE OF THE WATER SERVICE.
3. ALL DIMENSIONS ARE IN METRES AND DECIMALS THERE OF. THE ELEVATIONS ARE IN METRES ABOVE GEODETIC MEAN SEA LEVEL.
4. ELEVATIONS NOTED ON THE CERTIFICATE ARE WITHIN 100mm OF ACTUAL.
5. THE BUILDER MUST CONSTRUCT WITHIN 100mm OF THE DESIGN LANDSCAPE ELEVATION & ILLUSTRATED DRAINAGE PATTERNS UNLESS OTHERWISE APPROVED BY THE DEVELOPMENT OFFICER.
6. IF THE INFORMATION ON THIS CERTIFICATE HAS BEEN PREPARED BY A PRIVATE DEVELOPER OR THEIR AGENT, THE CITY OF RED DEER ACCEPTS NO RESPONSIBILITY FOR ITS ACCURACY.



- LEGEND**
- SAN, WATER & STORM
 - ⊙ FIRE HYDRANT
 - - - GAS
 - ☀ POWER, TELEPHONE & CABLE SERVICE
 - STREET LIGHT
 - ⊠ COMMUNITY MAILBOX
 - TRANSFORMER
 - EL&P TRANSFORMER
 - SHAW PEDESTAL
 - ▲ TELEPHONE PEDESTAL
 - URD BOX



POWER SERVICE LOCATION IS 1.0m FROM SIDEYARD LOTLINE
 SANITARY AND WATER SERVICE LOCATION IS 3.0m FROM SIDEYARD LOTLINE
 DEPTH OF FILL EXCEEDS 1.2m (BEARING CERTIFICATE REQUIRED)

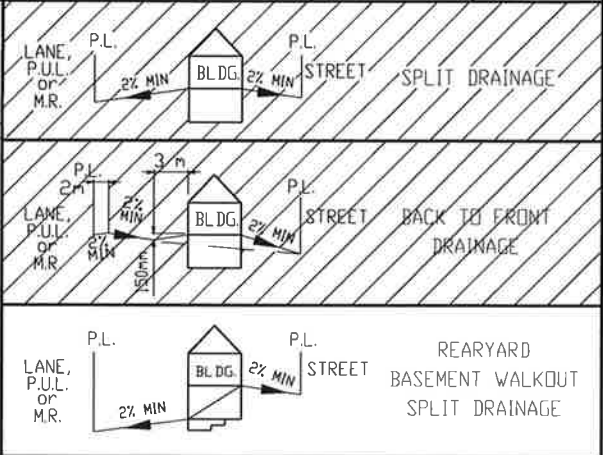
TOP OF FOOTING: MAX. DEPTH BELOW AVERAGE SIDEWALK = <u>1.94</u> LOWEST ELEVATION = <u>898.94</u>	CIVIC ADDRESS: <u>103 VANCOUVER CRESCENT</u> LOT: <u>121</u> BLOCK: <u>4</u> PLAN No.: _____ DEVELOPER: <u>MELCOR DEVELOPMENTS</u> SCALE: <u>1:500</u> DRAWN BY: <u>STANTEC CONSULTING LTD</u> DATE: <u>FEB 19, 2013</u> APPROVED BY: <u>KERRY SAUNDERS</u> DATE: <u>NOV 20, 2013</u> RECEIVED BY: _____ DATE: _____
AS-BUILT SEWER INVERT ELEVATIONS: SANITARY AT 5.0m INSIDE LOT = <u>898.09</u> STORM AT 5.0m INSIDE LOT = <u>898.09</u>	
DESIGN LANDSCAPE ELEVATIONS ELEV. AT FRONT OF HOUSE = <u>901.20</u> ELEV. AT REAR OF HOUSE = <u>898.72</u>	I CERTIFY THAT THE FINAL LANDSCAPE GRADE WILL BE (FRONT) _____ (REAR) _____ SIGNATURE OF OWNER OR REPRESENTATIVE _____

BUILDING GRADE CERTIFICATE

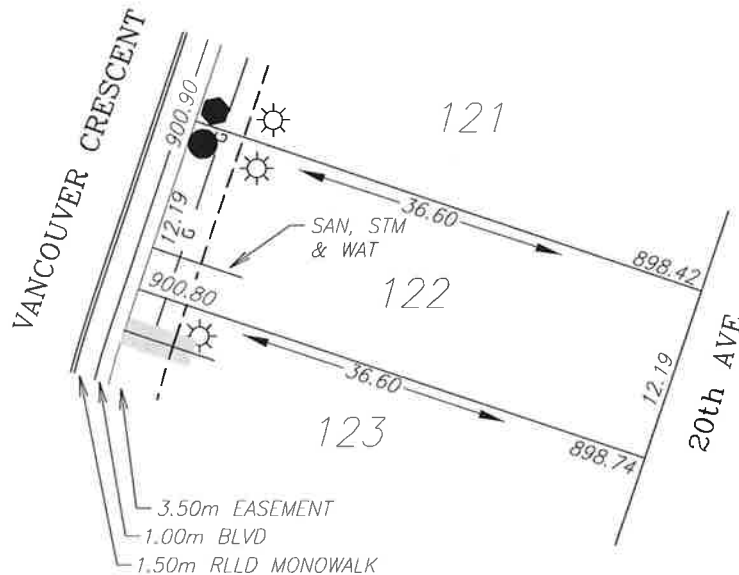
City of Red Deer

Issued by: No.

1. WHEN EXCAVATING IN A RIGHT OF WAY (EASEMENT), CHECK FOR UTILITIES.
2. STANDING AT THE WATER SHUTOFF AND FACING THE BUILDING, THE SANITARY SERVICE (PAINTED RED) IS ON THE LEFT SIDE OF THE WATER SERVICE: STORM SERVICE (PAINTED GREEN) IS ON THE RIGHT SIDE OF THE WATER SERVICE.
3. ALL DIMENSIONS ARE IN METRES AND DECIMALS THERE OF. THE ELEVATIONS ARE IN METRES ABOVE GEODETIC MEAN SEA LEVEL.
4. ELEVATIONS NOTED ON THE CERTIFICATE ARE WITHIN 100mm OF ACTUAL.
5. THE BUILDER MUST CONSTRUCT WITHIN 100mm OF THE DESIGN LANDSCAPE ELEVATION & ILLUSTRATED DRAINAGE PATTERNS UNLESS OTHERWISE APPROVED BY THE DEVELOPMENT OFFICER.
6. IF THE INFORMATION ON THIS CERTIFICATE HAS BEEN PREPARED BY A PRIVATE DEVELOPER OR THEIR AGENT, THE CITY OF RED DEER ACCEPTS NO RESPONSIBILITY FOR ITS ACCURACY.



- LEGEND
- SAN, WATER & STORM
 - ⊙ FIRE HYDRANT
 - o- GAS
 - ☀ POWER, TELEPHONE & CABLE SERVICE
 - STREET LIGHT
 - ⊠ COMMUNITY MAILBOX
 - TRANSFORMER
 - EL&P TRANSFORMER
 - SHAW PEDESTAL
 - ▲ TELEPHONE PEDESTAL
 - URD BOX



POWER SERVICE LOCATION IS 1.0m FROM SIDEYARD LOTLINE
 SANITARY AND WATER SERVICE LOCATION IS 3.0m FROM SIDEYARD LOTLINE
 DEPTH OF FILL EXCEEDS 1.2m (BEARING CERTIFICATE REQUIRED)

TOP OF FOOTING:
 MAX. DEPTH BELOW AVERAGE SIDEWALK = 1.77
 LOWEST ELEVATION = 899.08

CIVIC ADDRESS: 99 VANCOUVER CRESCENT
 LOT: 122 BLOCK: 4 PLAN No.:
 DEVELOPER: MELCOR DEVELOPMENTS SCALE: 1:500
 DRAWN BY: STANTEC CONSULTING LTD DATE: FEB 19, 2013
 APPROVED BY: KERRY SAUNDERS DATE: NOV 20, 2013
 RECEIVED BY: DATE:

AS-BUILT SEWER INVERT ELEVATIONS:
 SANITARY AT 5.0m INSIDE LOT = 898.23
 STORM AT 5.0m INSIDE LOT = 898.23

DESIGN LANDSCAPE ELEVATIONS
 ELEV. AT FRONT OF HOUSE = 901.20
 ELEV. AT REAR OF HOUSE = 899.04

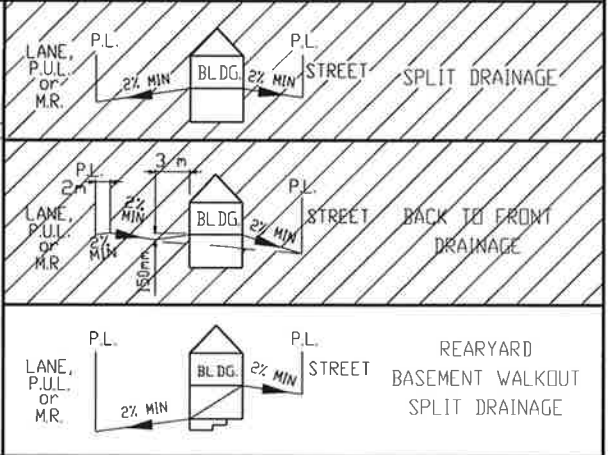
I CERTIFY THAT THE FINAL LANDSCAPE GRADE WILL BE (FRONT) _____
 (REAR) _____
 SIGNATURE OF OWNER OR REPRESENTATIVE _____

BUILDING GRADE CERTIFICATE

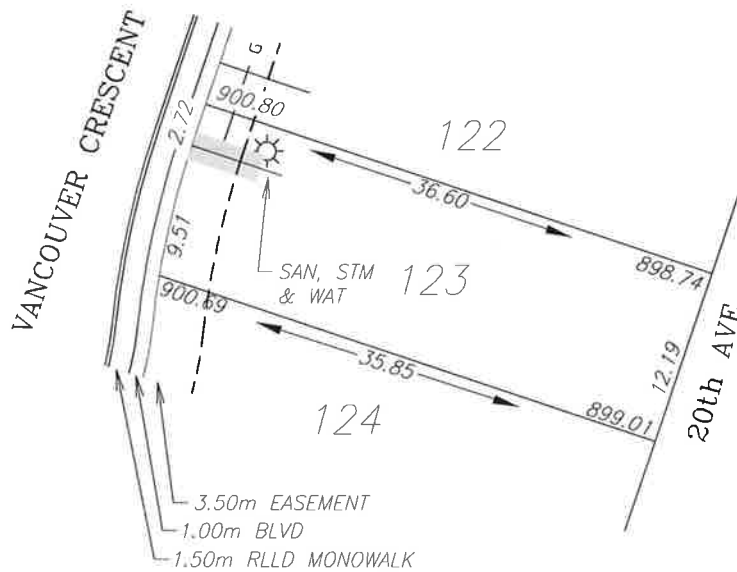
City of Red Deer

Issued by: No.

1. WHEN EXCAVATING IN A RIGHT OF WAY (EASEMENT), CHECK FOR UTILITIES.
2. STANDING AT THE WATER SHUTOFF AND FACING THE BUILDING, THE SANITARY SERVICE (PAINTED RED) IS ON THE LEFT SIDE OF THE WATER SERVICE; STORM SERVICE (PAINTED GREEN) IS ON THE RIGHT SIDE OF THE WATER SERVICE.
3. ALL DIMENSIONS ARE IN METRES AND DECIMALS THERE OF. THE ELEVATIONS ARE IN METRES ABOVE GEODETIC MEAN SEA LEVEL.
4. ELEVATIONS NOTED ON THE CERTIFICATE ARE WITHIN 100mm OF ACTUAL.
5. THE BUILDER MUST CONSTRUCT WITHIN 100mm OF THE DESIGN LANDSCAPE ELEVATION & ILLUSTRATED DRAINAGE PATTERNS UNLESS OTHERWISE APPROVED BY THE DEVELOPMENT OFFICER.
6. IF THE INFORMATION ON THIS CERTIFICATE HAS BEEN PREPARED BY A PRIVATE DEVELOPER OR THEIR AGENT, THE CITY OF RED DEER ACCEPTS NO RESPONSIBILITY FOR ITS ACCURACY.



- LEGEND**
- SAN, WATER & STORM
 - ⊙ FIRE HYDRANT
 - ⊖ GAS
 - ☀ POWER, TELEPHONE & CABLE SERVICE
 - ⦿ STREET LIGHT
 - ⊠ COMMUNITY MAILBOX
 - TRANSFORMER
 - EL&P TRANSFORMER
 - SHAW PEDESTAL
 - ▲ TELEPHONE PEDESTAL
 - URD BOX



POWER SERVICE LOCATION IS 1.0m FROM SIDEYARD LOTLINE
 SANITARY AND WATER SERVICE LOCATION IS 3.0m FROM SIDEYARD LOTLINE
 DEPTH OF FILL EXCEEDS 1.2m (BEARING CERTIFICATE REQUIRED)
 INSULATED SERVICE

TOP OF FOOTING:
 MAX. DEPTH BELOW AVERAGE SIDEWALK = 1.65
 LOWEST ELEVATION = 899.10

AS-BUILT SEWER INVERT ELEVATIONS:
 SANITARY AT 5.0m INSIDE LOT = 898.25
 STORM AT 5.0m INSIDE LOT = 898.25

CIVIC ADDRESS: 95 VANCOUVER CRESCENT
 LOT: 123 BLOCK: 4 PLAN No.:
 DEVELOPER: MELCOR DEVELOPMENTS SCALE: 1:500
 DRAWN BY: STANTEC CONSULTING LTD DATE: FEB 19, 2013
 APPROVED BY: KERRY SAUNDERS DATE: NOV 20, 2013
 RECEIVED BY: DATE:

DESIGN LANDSCAPE ELEVATIONS
 ELEV. AT FRONT OF HOUSE = 901.10
 ELEV. AT REAR OF HOUSE = 899.31

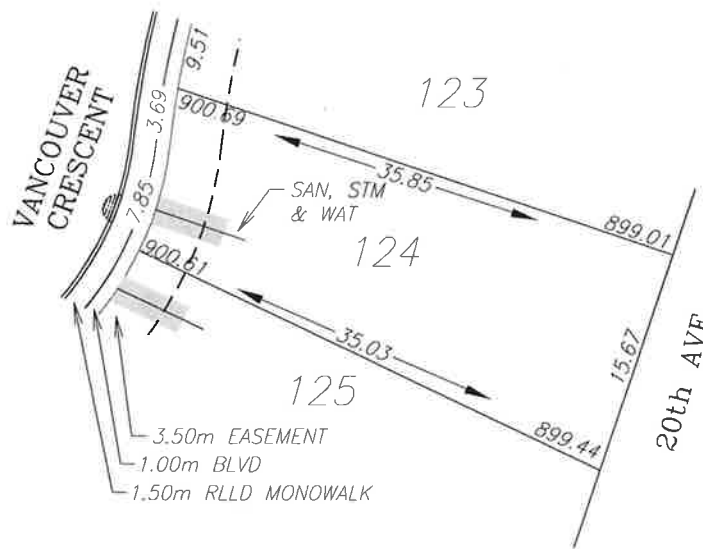
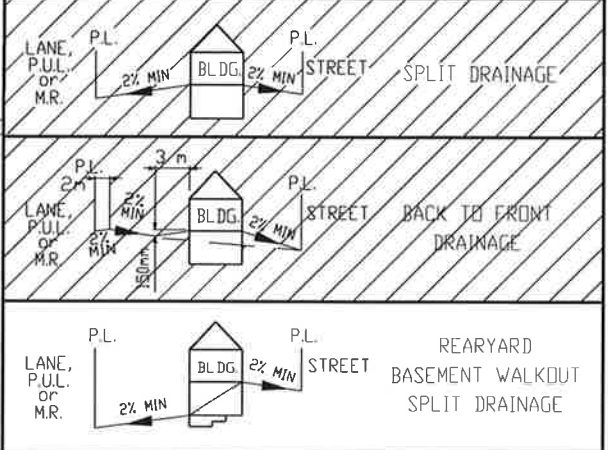
I CERTIFY THAT THE FINAL LANDSCAPE GRADE WILL BE (FRONT) _____ (REAR) _____
 SIGNATURE OF OWNER OR REPRESENTATIVE _____

BUILDING GRADE CERTIFICATE

City of Red Deer

Issued by: No.

1. WHEN EXCAVATING IN A RIGHT OF WAY (EASEMENT), CHECK FOR UTILITIES.
2. STANDING AT THE WATER SHUTOFF AND FACING THE BUILDING, THE SANITARY SERVICE (PAINTED RED) IS ON THE LEFT SIDE OF THE WATER SERVICE: STORM SERVICE (PAINTED GREEN) IS ON THE RIGHT SIDE OF THE WATER SERVICE.
3. ALL DIMENSIONS ARE IN METRES AND DECIMALS THERE OF. THE ELEVATIONS ARE IN METRES ABOVE GEODETIC MEAN SEA LEVEL.
4. ELEVATIONS NOTED ON THE CERTIFICATE ARE WITHIN 100mm OF ACTUAL.
5. THE BUILDER MUST CONSTRUCT WITHIN 100mm OF THE DESIGN LANDSCAPE ELEVATION & ILLUSTRATED DRAINAGE PATTERNS UNLESS OTHERWISE APPROVED BY THE DEVELOPMENT OFFICER.
6. IF THE INFORMATION ON THIS CERTIFICATE HAS BEEN PREPARED BY A PRIVATE DEVELOPER OR THEIR AGENT, THE CITY OF RED DEER ACCEPTS NO RESPONSIBILITY FOR ITS ACCURACY.



LEGEND

- SAN, WATER & STORM
- ⊙ FIRE HYDRANT
- G- GAS
- ☀ POWER, TELEPHONE & CABLE SERVICE
- STREET LIGHT
- ⊠ COMMUNITY MAILBOX
- TRANSFORMER
- EL&P TRANSFORMER
- SHAW PEDESTAL
- ▲ TELEPHONE PEDESTAL
- URD BOX

POWER SERVICE LOCATION IS 1.0m FROM SIDEYARD LOTLINE
 SANITARY AND WATER SERVICE LOCATION IS 3.0m FROM SIDEYARD LOTLINE
 DEPTH OF FILL EXCEEDS 1.2m (BEARING CERTIFICATE REQUIRED)
 INSULATED SERVICE

TOP OF FOOTING:
 MAX. DEPTH BELOW AVERAGE SIDEWALK = 1.44
 LOWEST ELEVATION = 899.21

AS-BUILT SEWER INVERT ELEVATIONS:
 SANITARY AT 5.0m INSIDE LOT = 898.36
 STORM AT 5.0m INSIDE LOT = 898.36

CIVIC ADDRESS: 91 VANCOUVER CRESCENT
 LOT: 124 BLOCK: 4 PLAN No.:
 DEVELOPER: MELCOR DEVELOPMENTS SCALE: 1:500
 DRAWN BY: STANTEC CONSULTING LTD DATE: FEB 19, 2013
 APPROVED BY: KERRY SAUNDERS DATE: NOV 20, 2013
 RECEIVED BY: DATE:

DESIGN LANDSCAPE ELEVATIONS
 ELEV. AT FRONT OF HOUSE = 900.99
 ELEV. AT REAR OF HOUSE = 899.74

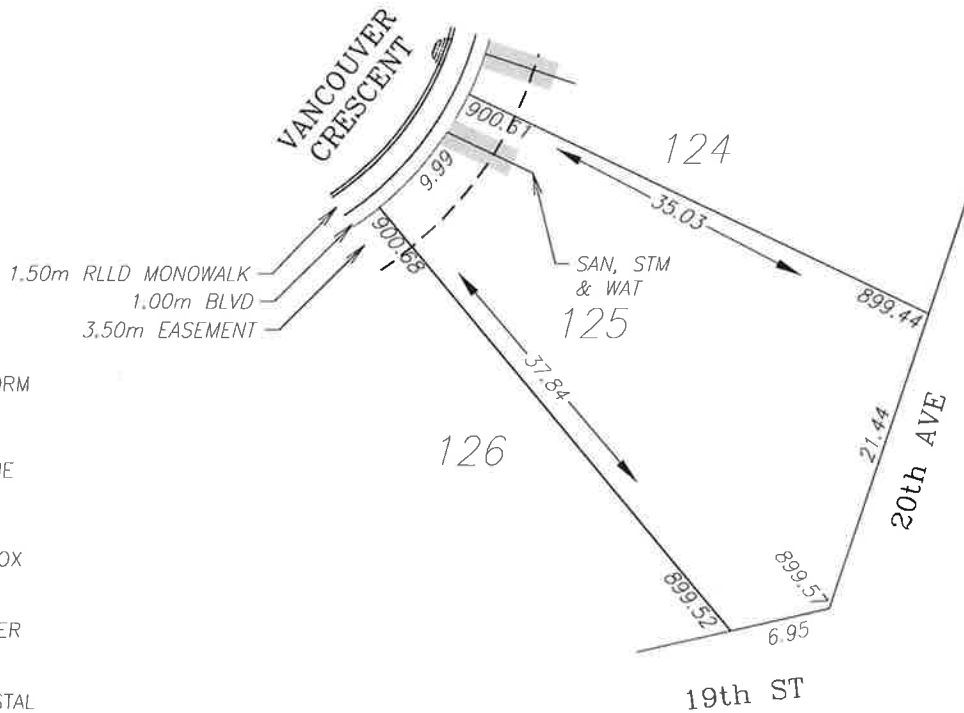
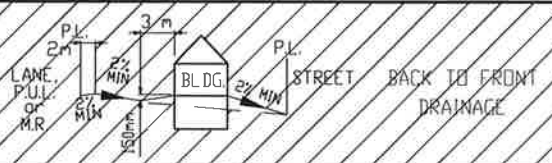
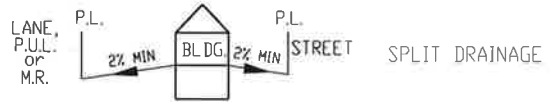
I CERTIFY THAT THE FINAL LANDSCAPE GRADE WILL BE (FRONT) _____ (REAR) _____
 SIGNATURE OF OWNER OR REPRESENTATIVE _____

BUILDING GRADE CERTIFICATE

City of Red Deer

Issued by: No.

1. WHEN EXCAVATING IN A RIGHT OF WAY (EASEMENT), CHECK FOR UTILITIES.
2. STANDING AT THE WATER SHUTOFF AND FACING THE BUILDING, THE SANITARY SERVICE (PAINTED RED) IS ON THE LEFT SIDE OF THE WATER SERVICE: STORM SERVICE (PAINTED GREEN) IS ON THE RIGHT SIDE OF THE WATER SERVICE.
3. ALL DIMENSIONS ARE IN METRES AND DECIMALS THERE OF. THE ELEVATIONS ARE IN METRES ABOVE GEODETIC MEAN SEA LEVEL.
4. ELEVATIONS NOTED ON THE CERTIFICATE ARE WITHIN 100mm OF ACTUAL.
5. THE BUILDER MUST CONSTRUCT WITHIN 100mm OF THE DESIGN LANDSCAPE ELEVATION & ILLUSTRATED DRAINAGE PATTERNS UNLESS OTHERWISE APPROVED BY THE DEVELOPMENT OFFICER.
6. IF THE INFORMATION ON THIS CERTIFICATE HAS BEEN PREPARED BY A PRIVATE DEVELOPER OR THEIR AGENT, THE CITY OF RED DEER ACCEPTS NO RESPONSIBILITY FOR ITS ACCURACY.



LEGEND

- SAN, WATER & STORM
- ⊙ FIRE HYDRANT
- - - GAS
- ☀ POWER, TELEPHONE & CABLE SERVICE
- ⊙ STREET LIGHT
- ⊠ COMMUNITY MAILBOX
- TRANSFORMER
- EL&P TRANSFORMER
- SHAW PEDESTAL
- ▲ TELEPHONE PEDESTAL
- URD BOX

POWER SERVICE LOCATION IS 1.0m FROM SIDEYARD LOTLINE
 SANITARY AND WATER SERVICE LOCATION IS 3.0m FROM SIDEYARD LOTLINE
 DEPTH OF FILL EXCEEDS 1.2m (BEARING CERTIFICATE REQUIRED)
 INSULATED SERVICE

TOP OF FOOTING:
 MAX. DEPTH BELOW AVERAGE SIDEWALK = 1.72
 LOWEST ELEVATION = 898.93

AS-BUILT SEWER INVERT ELEVATIONS:
 SANITARY AT 5.0m INSIDE LOT = 898.08
 STORM AT 5.0m INSIDE LOT = 898.08

CIVIC ADDRESS: 87 VANCOUVER CRESCENT
 LOT: 125 BLOCK: 4 PLAN No.: _____
 DEVELOPER: MELCOR DEVELOPMENTS SCALE: 1:500
 DRAWN BY: STANTEC CONSULTING LTD DATE: FEB 19, 2013
 APPROVED BY: KERRY SAUNDERS DATE: NOV 20, 2013
 RECEIVED BY: _____ DATE: _____

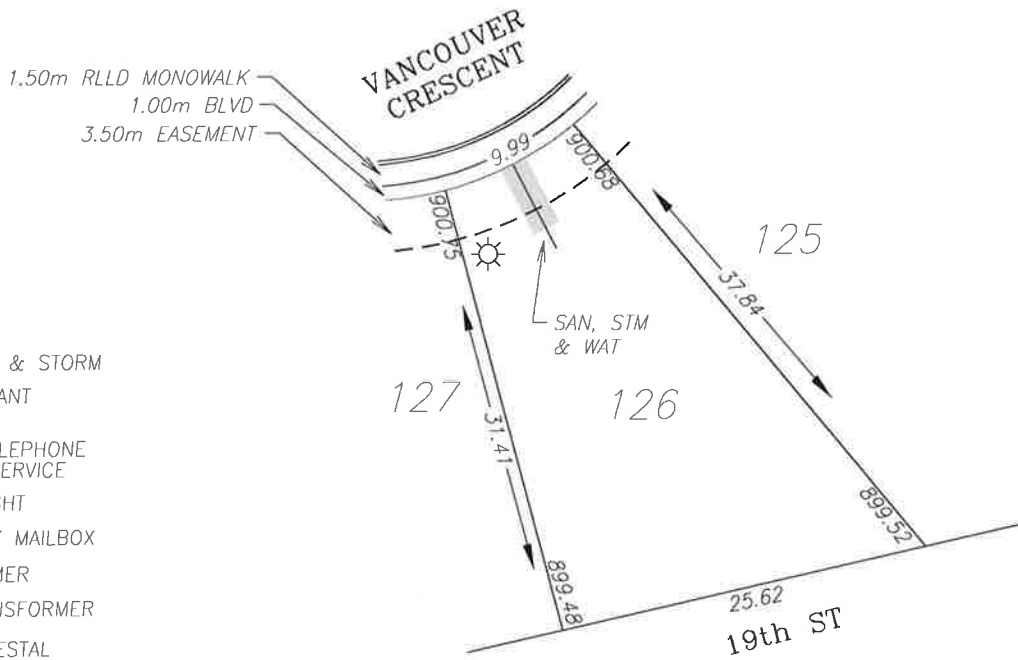
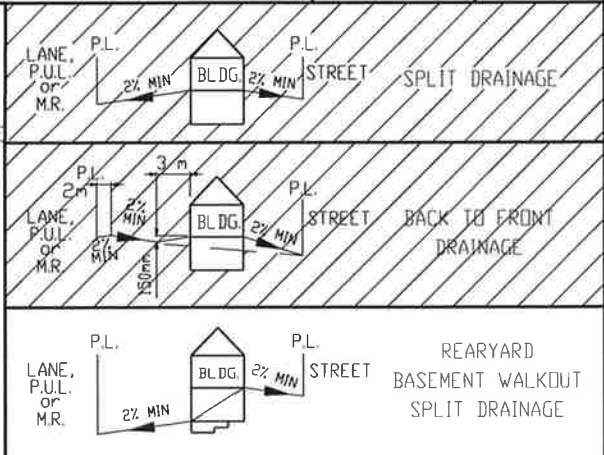
DESIGN LANDSCAPE ELEVATIONS
 ELEV. AT FRONT OF HOUSE = 900.98
 ELEV. AT REAR OF HOUSE = 899.87

I CERTIFY THAT THE FINAL LANDSCAPE GRADE WILL BE (FRONT) _____
 (REAR) _____
 SIGNATURE OF OWNER OR REPRESENTATIVE _____

BUILDING GRADE CERTIFICATE

City of Red Deer
 Issued by: No.

1. WHEN EXCAVATING IN A RIGHT OF WAY (EASEMENT), CHECK FOR UTILITIES.
2. STANDING AT THE WATER SHUTOFF AND FACING THE BUILDING, THE SANITARY SERVICE (PAINTED RED) IS ON THE LEFT SIDE OF THE WATER SERVICE; STORM SERVICE (PAINTED GREEN) IS ON THE RIGHT SIDE OF THE WATER SERVICE.
3. ALL DIMENSIONS ARE IN METRES AND DECIMALS THERE OF. THE ELEVATIONS ARE IN METRES ABOVE GEODETIC MEAN SEA LEVEL.
4. ELEVATIONS NOTED ON THE CERTIFICATE ARE WITHIN 100mm OF ACTUAL.
5. THE BUILDER MUST CONSTRUCT WITHIN 100mm OF THE DESIGN LANDSCAPE ELEVATION & ILLUSTRATED DRAINAGE PATTERNS UNLESS OTHERWISE APPROVED BY THE DEVELOPMENT OFFICER.
6. IF THE INFORMATION ON THIS CERTIFICATE HAS BEEN PREPARED BY A PRIVATE DEVELOPER OR THEIR AGENT, THE CITY OF RED DEER ACCEPTS NO RESPONSIBILITY FOR ITS ACCURACY.



LEGEND

- SAN, WATER & STORM
- ☉ FIRE HYDRANT
- - - GAS
- ☀ POWER, TELEPHONE & CABLE SERVICE
- STREET LIGHT
- ☒ COMMUNITY MAILBOX
- TRANSFORMER
- EL&P TRANSFORMER
- SHAW PEDESTAL
- ▲ TELEPHONE PEDESTAL
- URD BOX

POWER SERVICE LOCATION IS 1.0m FROM SIDEYARD LOTLINE
 SANITARY AND WATER SERVICE LOCATION IS 5.0m FROM SIDEYARD LOTLINE
 DEPTH OF FILL EXCEEDS 1.2m (BEARING CERTIFICATE REQUIRED)
 INSULATED SERVICE

TOP OF FOOTING:
 MAX. DEPTH BELOW AVERAGE SIDEWALK = 1.77
 LOWEST ELEVATION = 898.95

AS-BUILT SEWER INVERT ELEVATIONS:
 SANITARY AT 5.0m INSIDE LOT = 898.10
 STORM AT 5.0m INSIDE LOT = 898.10

CIVIC ADDRESS: 83 VANCOUVER CRESCENT
 LOT: 126 BLOCK: 4 PLAN No.: _____
 DEVELOPER: MELCOR DEVELOPMENTS SCALE: 1:500
 DRAWN BY: STANTEC CONSULTING LTD DATE: FEB 19, 2013
 APPROVED BY: KERRY SAUNDERS DATE: NOV 20, 2013
 RECEIVED BY: _____ DATE: _____

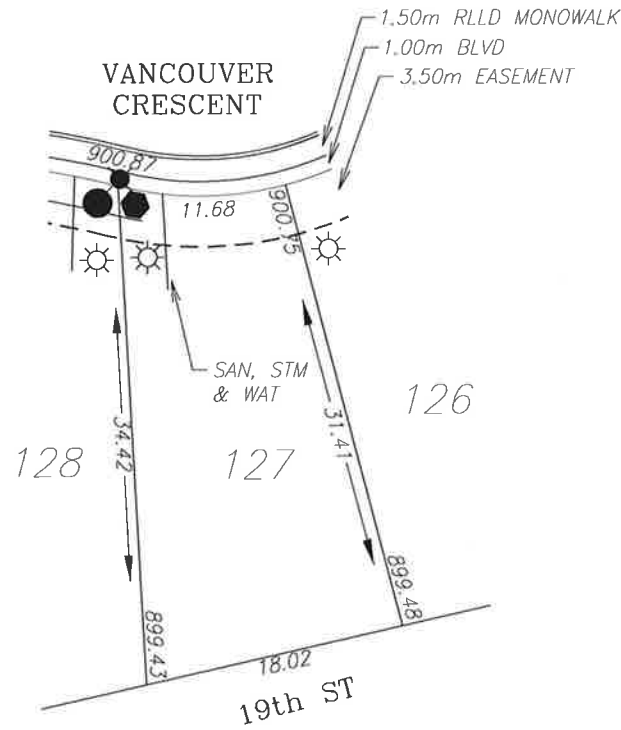
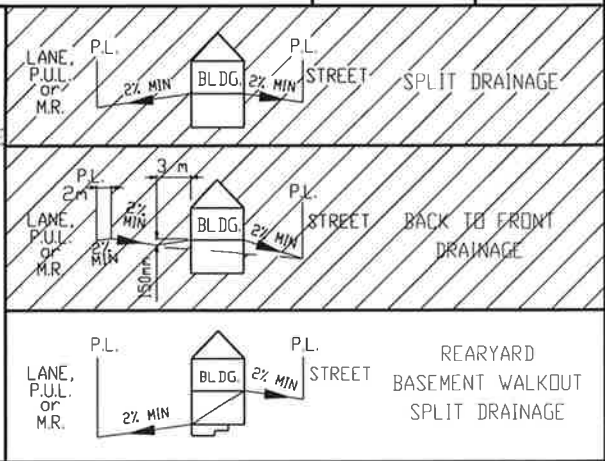
DESIGN LANDSCAPE ELEVATIONS
 ELEV. AT FRONT OF HOUSE = 901.05
 ELEV. AT REAR OF HOUSE = 899.82

I CERTIFY THAT THE FINAL LANDSCAPE GRADE WILL BE (FRONT) _____
 (REAR) _____
 SIGNATURE OF OWNER OR REPRESENTATIVE _____

BUILDING GRADE CERTIFICATE

City of Red Deer
 Issued by: No.

1. WHEN EXCAVATING IN A RIGHT OF WAY (EASEMENT), CHECK FOR UTILITIES.
2. STANDING AT THE WATER SHUTOFF AND FACING THE BUILDING, THE SANITARY SERVICE (PAINTED RED) IS ON THE LEFT SIDE OF THE WATER SERVICE: STORM SERVICE (PAINTED GREEN) IS ON THE RIGHT SIDE OF THE WATER SERVICE.
3. ALL DIMENSIONS ARE IN METRES AND DECIMALS THERE OF. THE ELEVATIONS ARE IN METRES ABOVE GEODETIC MEAN SEA LEVEL.
4. ELEVATIONS NOTED ON THE CERTIFICATE ARE WITHIN 100mm OF ACTUAL.
5. THE BUILDER MUST CONSTRUCT WITHIN 100mm OF THE DESIGN LANDSCAPE ELEVATION & ILLUSTRATED DRAINAGE PATTERNS UNLESS OTHERWISE APPROVED BY THE DEVELOPMENT OFFICER.
6. IF THE INFORMATION ON THIS CERTIFICATE HAS BEEN PREPARED BY A PRIVATE DEVELOPER OR THEIR AGENT, THE CITY OF RED DEER ACCEPTS NO RESPONSIBILITY FOR ITS ACCURACY.



- LEGEND**
- SAN, WATER & STORM
 - ⊙ FIRE HYDRANT
 - - - GAS
 - ☀ POWER, TELEPHONE & CABLE SERVICE
 - STREET LIGHT
 - ⊠ COMMUNITY MAILBOX
 - TRANSFORMER
 - EL&P TRANSFORMER
 - SHAW PEDESTAL
 - ▲ TELEPHONE PEDESTAL
 - URD BOX

POWER SERVICE LOCATION IS 1.0m FROM SIDEYARD LOTLINE
 SANITARY AND WATER SERVICE LOCATION IS 3.0m FROM SIDEYARD LOTLINE
 DEPTH OF FILL EXCEEDS 1.2m (BEARING CERTIFICATE REQUIRED)

TOP OF FOOTING: MAX. DEPTH BELOW AVERAGE SIDEWALK = 1.69 LOWEST ELEVATION = 899.12	CIVIC ADDRESS: 79 VANCOUVER CRESCENT LOT: 127 BLOCK: 4 PLAN No.: DEVELOPER: MELCOR DEVELOPMENTS SCALE: 1:500 DRAWN BY: STANTEC CONSULTING LTD DATE: FEB 19, 2013 APPROVED BY: KERRY SAUNDERS DATE: NOV 20, 2013 RECEIVED BY: DATE:
AS-BUILT SEWER INVERT ELEVATIONS: SANITARY AT 5.0m INSIDE LOT = 898.27 STORM AT 5.0m INSIDE LOT = 898.27	

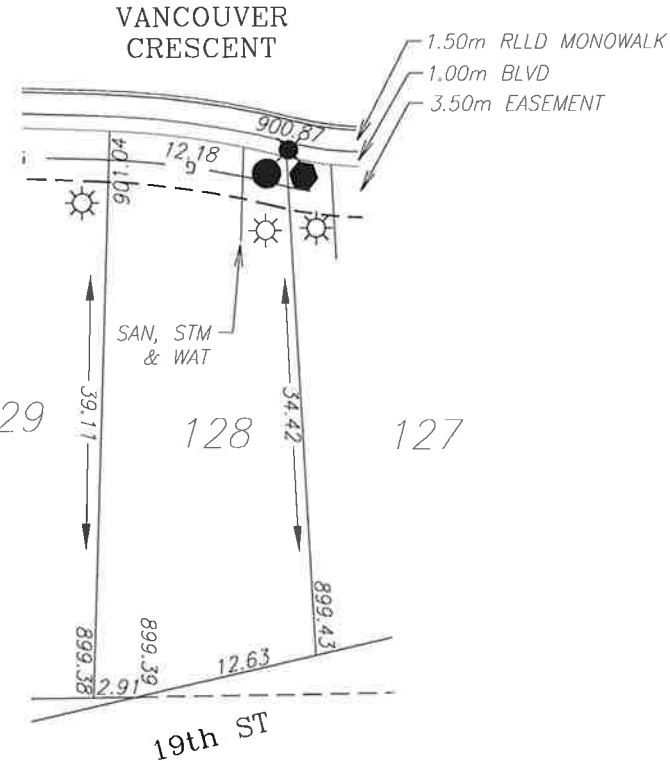
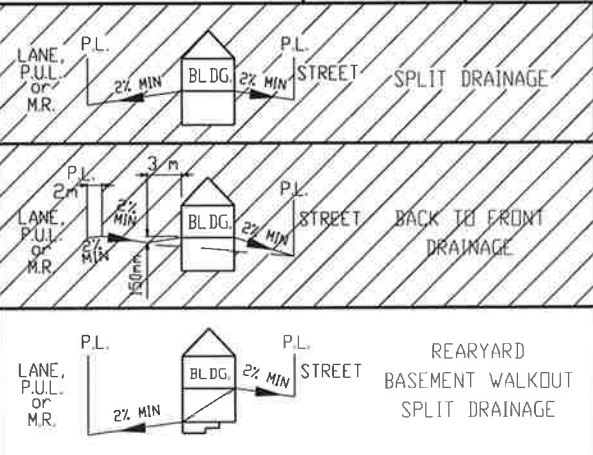
DESIGN LANDSCAPE ELEVATIONS
 ELEV. AT FRONT OF HOUSE = 901.17
 ELEV. AT REAR OF HOUSE = 899.78

I CERTIFY THAT THE FINAL LANDSCAPE GRADE WILL BE (FRONT) _____ (REAR) _____
 SIGNATURE OF OWNER OR REPRESENTATIVE _____

BUILDING GRADE CERTIFICATE

City of Red Deer
 Issued by: No.

1. WHEN EXCAVATING IN A RIGHT OF WAY (EASEMENT), CHECK FOR UTILITIES.
2. STANDING AT THE WATER SHUTOFF AND FACING THE BUILDING, THE SANITARY SERVICE (PAINTED RED) IS ON THE LEFT SIDE OF THE WATER SERVICE: STORM SERVICE (PAINTED GREEN) IS ON THE RIGHT SIDE OF THE WATER SERVICE.
3. ALL DIMENSIONS ARE IN METRES AND DECIMALS THERE OF. THE ELEVATIONS ARE IN METRES ABOVE GEODETIC MEAN SEA LEVEL.
4. ELEVATIONS NOTED ON THE CERTIFICATE ARE WITHIN 100mm OF ACTUAL.
5. THE BUILDER MUST CONSTRUCT WITHIN 100mm OF THE DESIGN LANDSCAPE ELEVATION & ILLUSTRATED DRAINAGE PATTERNS UNLESS OTHERWISE APPROVED BY THE DEVELOPMENT OFFICER.
6. IF THE INFORMATION ON THIS CERTIFICATE HAS BEEN PREPARED BY A PRIVATE DEVELOPER OR THEIR AGENT, THE CITY OF RED DEER ACCEPTS NO RESPONSIBILITY FOR ITS ACCURACY.



- LEGEND**
- SAN, WATER & STORM
 - ☉ FIRE HYDRANT
 - GAS
 - ☀ POWER, TELEPHONE & CABLE SERVICE
 - ☼ STREET LIGHT
 - ☒ COMMUNITY MAILBOX
 - TRANSFORMER
 - EL&P TRANSFORMER
 - SHAW PEDESTAL
 - ▲ TELEPHONE PEDESTAL
 - URD BOX

POWER SERVICE LOCATION IS 1.0m FROM SIDEYARD LOTLINE
 SANITARY AND WATER SERVICE LOCATION IS 3.0m FROM SIDEYARD LOTLINE
 DEPTH OF FILL EXCEEDS 1.2m (BEARING CERTIFICATE REQUIRED)

TOP OF FOOTING: MAX. DEPTH BELOW AVERAGE SIDEWALK = 1.88 LOWEST ELEVATION = 899.08	CIVIC ADDRESS: 75 VANCOUVER CRESCENT LOT: 128 BLOCK: 4 PLAN No.: DEVELOPER: MELCOR DEVELOPMENTS SCALE: 1:500 DRAWN BY: STANTEC CONSULTING LTD DATE: FEB 19, 2013 APPROVED BY: KERRY SAUNDERS DATE: NOV 20, 2013 RECEIVED BY: DATE:
AS-BUILT SEWER INVERT ELEVATIONS: SANITARY AT 5.0m INSIDE LOT = 898.23 STORM AT 5.0m INSIDE LOT = 898.23	

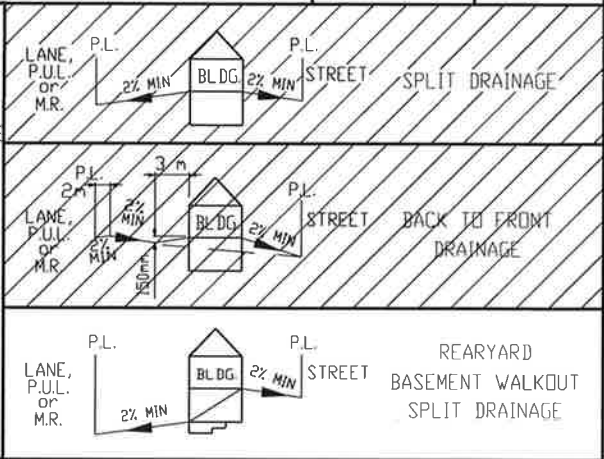
DESIGN LANDSCAPE ELEVATIONS
 ELEV. AT FRONT OF HOUSE = 901.34
 ELEV. AT REAR OF HOUSE = 899.73

I CERTIFY THAT THE FINAL LANDSCAPE GRADE WILL BE (FRONT) _____ (REAR) _____
 SIGNATURE OF OWNER OR REPRESENTATIVE _____

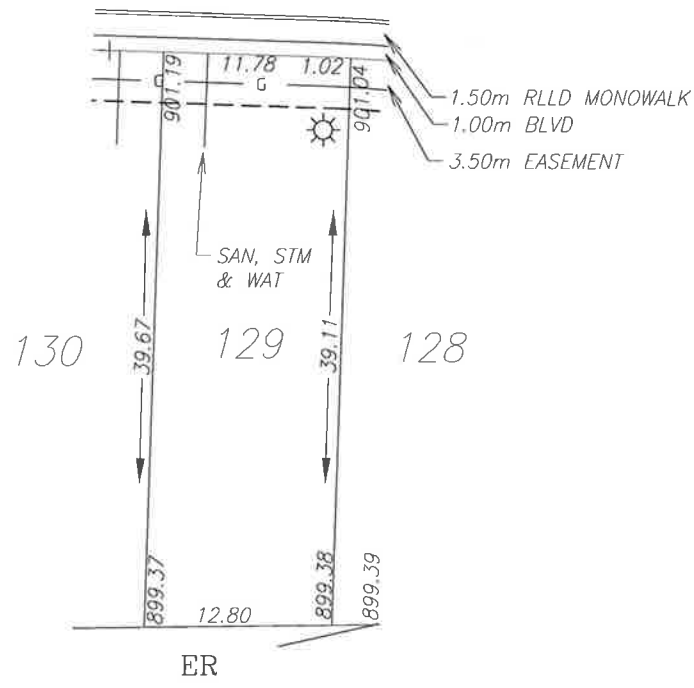
BUILDING GRADE CERTIFICATE

City of Red Deer
 Issued by: _____ No. _____

1. WHEN EXCAVATING IN A RIGHT OF WAY (EASEMENT), CHECK FOR UTILITIES.
2. STANDING AT THE WATER SHUTOFF AND FACING THE BUILDING, THE SANITARY SERVICE (PAINTED RED) IS ON THE LEFT SIDE OF THE WATER SERVICE; STORM SERVICE (PAINTED GREEN) IS ON THE RIGHT SIDE OF THE WATER SERVICE.
3. ALL DIMENSIONS ARE IN METRES AND DECIMALS THERE OF. THE ELEVATIONS ARE IN METRES ABOVE GEODETIC MEAN SEA LEVEL.
4. ELEVATIONS NOTED ON THE CERTIFICATE ARE WITHIN 100mm OF ACTUAL.
5. THE BUILDER MUST CONSTRUCT WITHIN 100mm OF THE DESIGN LANDSCAPE ELEVATION & ILLUSTRATED DRAINAGE PATTERNS UNLESS OTHERWISE APPROVED BY THE DEVELOPMENT OFFICER.
6. IF THE INFORMATION ON THIS CERTIFICATE HAS BEEN PREPARED BY A PRIVATE DEVELOPER OR THEIR AGENT, THE CITY OF RED DEER ACCEPTS NO RESPONSIBILITY FOR ITS ACCURACY.



VANCOUVER CRESCENT



- LEGEND**
- SAN, WATER & STORM
 - ☉ FIRE HYDRANT
 - o- GAS
 - ☀ POWER, TELEPHONE & CABLE SERVICE
 - STREET LIGHT
 - ☒ COMMUNITY MAILBOX
 - TRANSFORMER
 - EL&P TRANSFORMER
 - SHAW PEDESTAL
 - ▲ TELEPHONE PEDESTAL
 - URD BOX

POWER SERVICE LOCATION IS 1.0m FROM SIDEYARD LOTLINE
 SANITARY AND WATER SERVICE LOCATION IS 3.0m FROM SIDEYARD LOTLINE
 DEPTH OF FILL EXCEEDS 1.2m (BEARING CERTIFICATE REQUIRED)

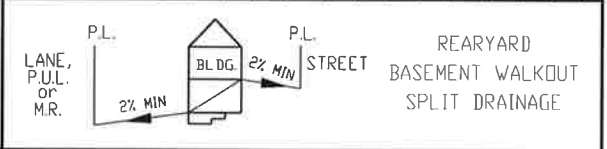
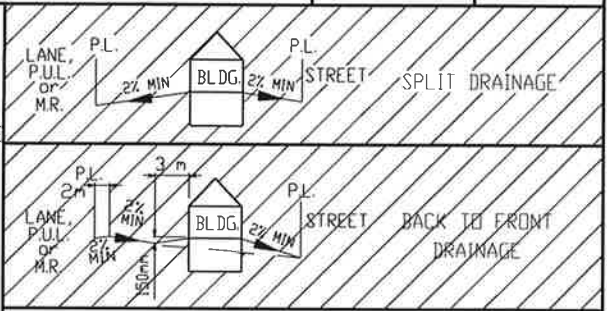
TOP OF FOOTING: MAX. DEPTH BELOW AVERAGE SIDEWALK = <u>2.06</u> LOWEST ELEVATION = <u>899.06</u>	CIVIC ADDRESS: <u>71 VANCOUVER CRESCENT</u> LOT: <u>129</u> BLOCK: <u>4</u> PLAN No.: _____ DEVELOPER: <u>MELCOR DEVELOPMENTS</u> SCALE: <u>1:500</u> DRAWN BY: <u>STANTEC CONSULTING LTD</u> DATE: <u>FEB 19, 2013</u> APPROVED BY: <u>KERRY SAUNDERS</u> DATE: <u>NOV 20, 2013</u> RECEIVED BY: _____ DATE: _____
AS-BUILT SEWER INVERT ELEVATIONS: SANITARY AT 5.0m INSIDE LOT = <u>898.21</u> STORM AT 5.0m INSIDE LOT = <u>898.21</u>	DESIGN LANDSCAPE ELEVATIONS ELEV. AT FRONT OF HOUSE = <u>901.49</u> ELEV. AT REAR OF HOUSE = <u>899.69</u>
I CERTIFY THAT THE FINAL LANDSCAPE GRADE WILL BE (FRONT) _____ (REAR) _____ SIGNATURE OF OWNER OR REPRESENTATIVE _____	

BUILDING GRADE CERTIFICATE

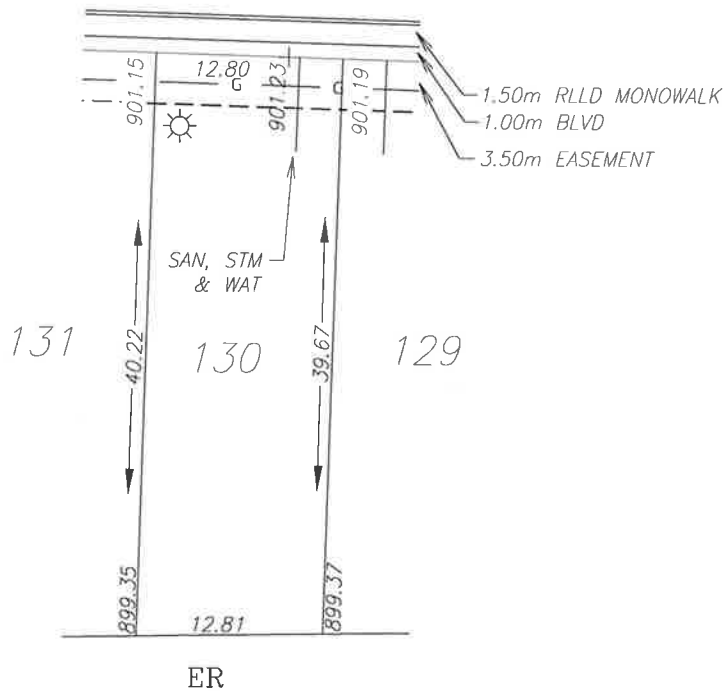
City of Red Deer

Issued by: No.

1. WHEN EXCAVATING IN A RIGHT OF WAY (EASEMENT), CHECK FOR UTILITIES.
2. STANDING AT THE WATER SHUTOFF AND FACING THE BUILDING, THE SANITARY SERVICE (PAINTED RED) IS ON THE LEFT SIDE OF THE WATER SERVICE; STORM SERVICE (PAINTED GREEN) IS ON THE RIGHT SIDE OF THE WATER SERVICE.
3. ALL DIMENSIONS ARE IN METRES AND DECIMALS THERE OF. THE ELEVATIONS ARE IN METRES ABOVE GEODETIC MEAN SEA LEVEL.
4. ELEVATIONS NOTED ON THE CERTIFICATE ARE WITHIN 100mm OF ACTUAL.
5. THE BUILDER MUST CONSTRUCT WITHIN 100mm OF THE DESIGN LANDSCAPE ELEVATION & ILLUSTRATED DRAINAGE PATTERNS UNLESS OTHERWISE APPROVED BY THE DEVELOPMENT OFFICER.
6. IF THE INFORMATION ON THIS CERTIFICATE HAS BEEN PREPARED BY A PRIVATE DEVELOPER OR THEIR AGENT, THE CITY OF RED DEER ACCEPTS NO RESPONSIBILITY FOR ITS ACCURACY.



VANCOUVER CRESCENT



LEGEND

- SAN, WATER & STORM
- ☉ FIRE HYDRANT
- o- GAS
- ☀ POWER, TELEPHONE & CABLE SERVICE
- ☼ STREET LIGHT
- ☒ COMMUNITY MAILBOX
- TRANSFORMER
- EL&P TRANSFORMER
- SHAW PEDESTAL
- ▲ TELEPHONE PEDESTAL
- URD BOX

POWER SERVICE LOCATION IS 1.0m FROM SIDEYARD LOTLINE
 SANITARY AND WATER SERVICE LOCATION IS 3.0m FROM SIDEYARD LOTLINE
 DEPTH OF FILL EXCEEDS 1.2m (BEARING CERTIFICATE REQUIRED)

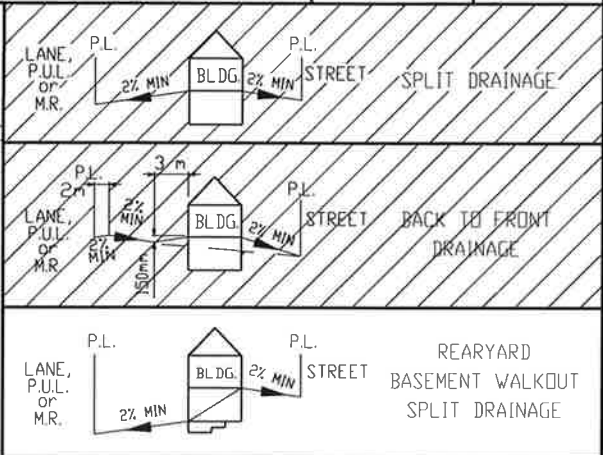
TOP OF FOOTING: MAX. DEPTH BELOW AVERAGE SIDEWALK = <u>2.23</u> LOWEST ELEVATION = <u>898.98</u>	CIVIC ADDRESS: <u>67 VANCOUVER CRESCENT</u> LOT: <u>130</u> BLOCK: <u>4</u> PLAN No.: _____ DEVELOPER: <u>MELCOR DEVELOPMENTS</u> SCALE: <u>1:500</u> DRAWN BY: <u>STANTEC CONSULTING LTD</u> DATE: <u>FEB 19, 2013</u> APPROVED BY: <u>KERRY SAUNDERS</u> DATE: <u>NOV 20, 2013</u> RECEIVED BY: _____ DATE: _____
AS-BUILT SEWER INVERT ELEVATIONS: SANITARY AT 5.0m INSIDE LOT = <u>898.13</u> STORM AT 5.0m INSIDE LOT = <u>898.13</u>	
DESIGN LANDSCAPE ELEVATIONS ELEV. AT FRONT OF HOUSE = <u>901.53</u> ELEV. AT REAR OF HOUSE = <u>899.67</u>	I CERTIFY THAT THE FINAL LANDSCAPE GRADE WILL BE (FRONT) _____ (REAR) _____ SIGNATURE OF OWNER OR REPRESENTATIVE _____

BUILDING GRADE CERTIFICATE

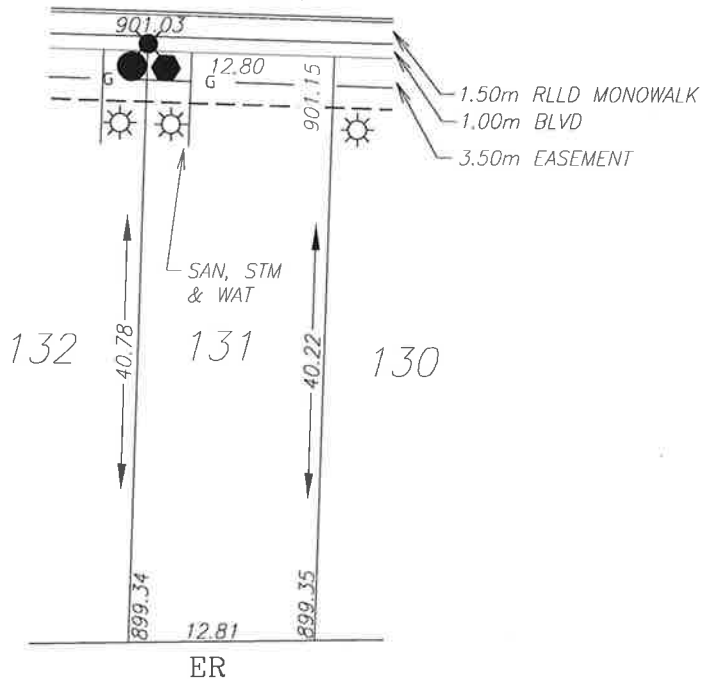
City of Red Deer

Issued by: No.

1. WHEN EXCAVATING IN A RIGHT OF WAY (EASEMENT), CHECK FOR UTILITIES.
2. STANDING AT THE WATER SHUTOFF AND FACING THE BUILDING, THE SANITARY SERVICE (PAINTED RED) IS ON THE LEFT SIDE OF THE WATER SERVICE; STORM SERVICE (PAINTED GREEN) IS ON THE RIGHT SIDE OF THE WATER SERVICE.
3. ALL DIMENSIONS ARE IN METRES AND DECIMALS THERE OF. THE ELEVATIONS ARE IN METRES ABOVE GEODETIC MEAN SEA LEVEL.
4. ELEVATIONS NOTED ON THE CERTIFICATE ARE WITHIN 100mm OF ACTUAL.
5. THE BUILDER MUST CONSTRUCT WITHIN 100mm OF THE DESIGN LANDSCAPE ELEVATION & ILLUSTRATED DRAINAGE PATTERNS UNLESS OTHERWISE APPROVED BY THE DEVELOPMENT OFFICER.
6. IF THE INFORMATION ON THIS CERTIFICATE HAS BEEN PREPARED BY A PRIVATE DEVELOPER OR THEIR AGENT, THE CITY OF RED DEER ACCEPTS NO RESPONSIBILITY FOR ITS ACCURACY.



VANCOUVER CRESCENT



LEGEND

- SAN, WATER & STORM
- ⊙ FIRE HYDRANT
- o- GAS
- ☀ POWER, TELEPHONE & CABLE SERVICE
- STREET LIGHT
- ⊠ COMMUNITY MAILBOX
- TRANSFORMER
- EL&P TRANSFORMER
- SHAW PEDESTAL
- ▲ TELEPHONE PEDESTAL
- URD BOX

POWER SERVICE LOCATION IS 1.0m FROM SIDEYARD LOTLINE
 SANITARY AND WATER SERVICE LOCATION IS 3.0m FROM SIDEYARD LOTLINE
 DEPTH OF FILL EXCEEDS 1.2m (BEARING CERTIFICATE REQUIRED)

TOP OF FOOTING:
 MAX. DEPTH BELOW AVERAGE SIDEWALK = 2.19
 LOWEST ELEVATION = 898.90

AS-BUILT SEWER INVERT ELEVATIONS:
 SANITARY AT 5.0m INSIDE LOT = 898.05
 STORM AT 5.0m INSIDE LOT = 898.05

CIVIC ADDRESS: 63 VANCOUVER CRESCENT
 LOT: 131 BLOCK: 4 PLAN No.:
 DEVELOPER: MELCOR DEVELOPMENTS SCALE: 1:500
 DRAWN BY: STANTEC CONSULTING LTD DATE: FEB 19, 2013
 APPROVED BY: KERRY SAUNDERS DATE: NOV 20, 2013
 RECEIVED BY: DATE:

DESIGN LANDSCAPE ELEVATIONS
 ELEV. AT FRONT OF HOUSE = 901.45
 F.I.F.V. AT REAR OF HOUSE = 899.65

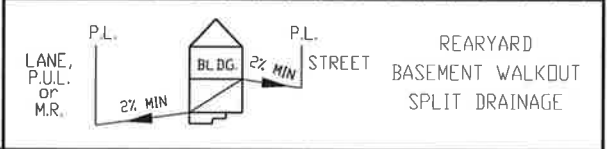
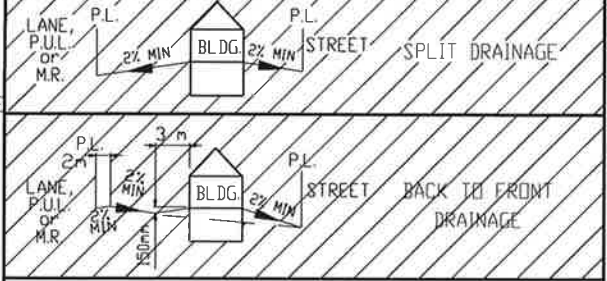
I CERTIFY THAT THE FINAL LANDSCAPE GRADE WILL BE (FRONT) _____
 (REAR) _____
 SIGNATURE OF OWNER OR REPRESENTATIVE _____

BUILDING GRADE CERTIFICATE

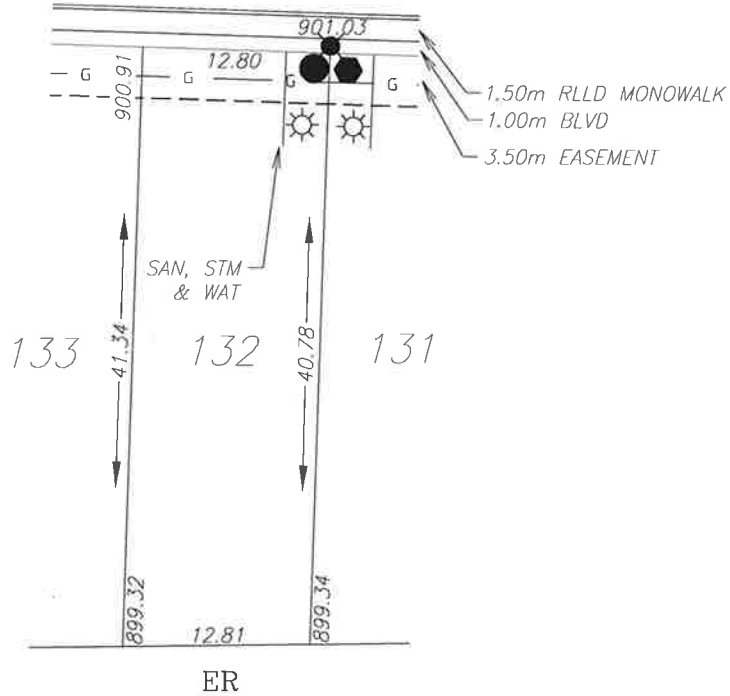
City of Red Deer

Issued by: _____ No. _____

1. WHEN EXCAVATING IN A RIGHT OF WAY (EASEMENT), CHECK FOR UTILITIES.
2. STANDING AT THE WATER SHUTOFF AND FACING THE BUILDING, THE SANITARY SERVICE (PAINTED RED) IS ON THE LEFT SIDE OF THE WATER SERVICE. STORM SERVICE (PAINTED GREEN) IS ON THE RIGHT SIDE OF THE WATER SERVICE.
3. ALL DIMENSIONS ARE IN METRES AND DECIMALS THERE OF. THE ELEVATIONS ARE IN METRES ABOVE GEODETIC MEAN SEA LEVEL.
4. ELEVATIONS NOTED ON THE CERTIFICATE ARE WITHIN 100mm OF ACTUAL.
5. THE BUILDER MUST CONSTRUCT WITHIN 100mm OF THE DESIGN LANDSCAPE ELEVATION & ILLUSTRATED DRAINAGE PATTERNS UNLESS OTHERWISE APPROVED BY THE DEVELOPMENT OFFICER.
6. IF THE INFORMATION ON THIS CERTIFICATE HAS BEEN PREPARED BY A PRIVATE DEVELOPER OR THEIR AGENT, THE CITY OF RED DEER ACCEPTS NO RESPONSIBILITY FOR ITS ACCURACY.



VANCOUVER CRESCENT



LEGEND

- SAN, WATER & STORM
- ⊙ FIRE HYDRANT
- - - GAS
- ☀ POWER, TELEPHONE & CABLE SERVICE
- STREET LIGHT
- ⊠ COMMUNITY MAILBOX
- TRANSFORMER
- EL&P TRANSFORMER
- SHAW PEDESTAL
- ▲ TELEPHONE PEDESTAL
- URD BOX

POWER SERVICE LOCATION IS 1.0m FROM SIDEYARD LOTLINE
 SANITARY AND WATER SERVICE LOCATION IS 3.0m FROM SIDEYARD LOTLINE
 DEPTH OF FILL EXCEEDS 1.2m (BEARING CERTIFICATE REQUIRED)

TOP OF FOOTING:
 MAX. DEPTH BELOW AVERAGE SIDEWALK = 2.08
 LOWEST ELEVATION = 898.89

AS-BUILT SEWER INVERT ELEVATIONS:
 SANITARY AT 5.0m INSIDE LOT = 898.04
 STORM AT 5.0m INSIDE LOT = 898.04

CIVIC ADDRESS: 59 VANCOUVER CRESCENT
 LOT: 132 BLOCK: 4 PLAN No.: _____
 DEVELOPER: MELCOR DEVELOPMENTS SCALE: 1:500
 DRAWN BY: STANTEC CONSULTING LTD DATE: FEB 19, 2013
 APPROVED BY: KERRY SAUNDERS DATE: NOV 20, 2013
 RECEIVED BY: _____ DATE: _____

DESIGN LANDSCAPE ELEVATIONS
 ELEV. AT FRONT OF HOUSE = 901.33
 ELEV. AT REAR OF HOUSE = 899.69

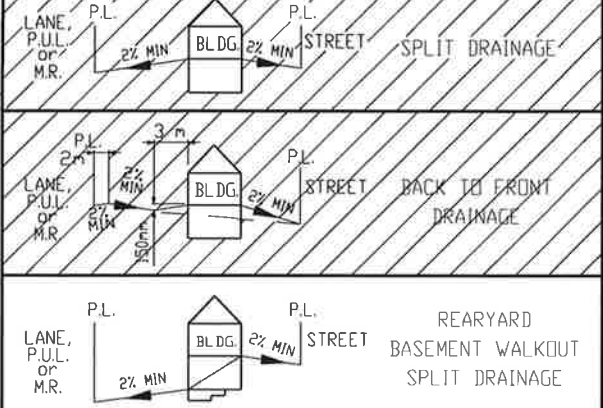
I CERTIFY THAT THE FINAL LANDSCAPE GRADE WILL BE (FRONT) _____ (REAR) _____
 SIGNATURE OF OWNER OR REPRESENTATIVE _____

BUILDING GRADE CERTIFICATE

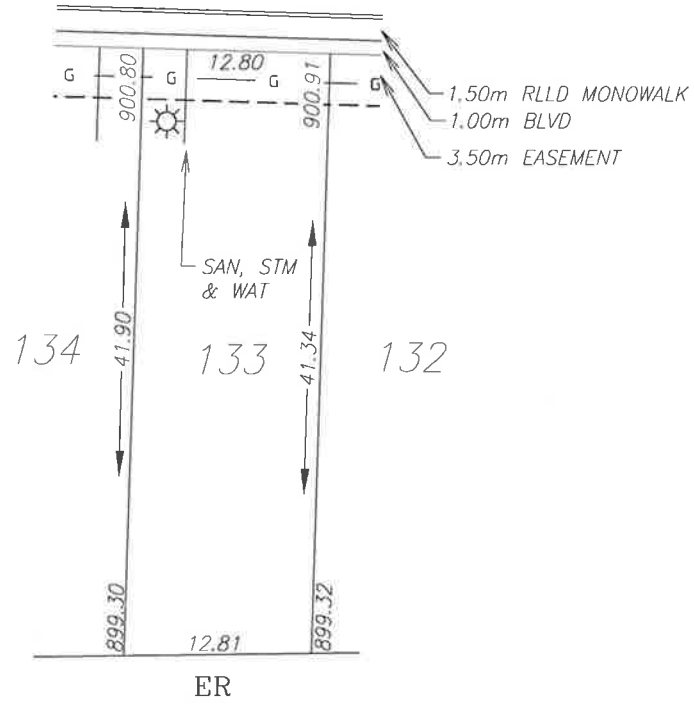
City of Red Deer

Issued by: No.

1. WHEN EXCAVATING IN A RIGHT OF WAY (EASEMENT), CHECK FOR UTILITIES.
2. STANDING AT THE WATER SHUTOFF AND FACING THE BUILDING, THE SANITARY SERVICE (PAINTED RED) IS ON THE LEFT SIDE OF THE WATER SERVICE; STORM SERVICE (PAINTED GREEN) IS ON THE RIGHT SIDE OF THE WATER SERVICE.
3. ALL DIMENSIONS ARE IN METRES AND DECIMALS THERE OF. THE ELEVATIONS ARE IN METRES ABOVE GEODETIC MEAN SEA LEVEL.
4. ELEVATIONS NOTED ON THE CERTIFICATE ARE WITHIN 100mm OF ACTUAL.
5. THE BUILDER MUST CONSTRUCT WITHIN 100mm OF THE DESIGN LANDSCAPE ELEVATION & ILLUSTRATED DRAINAGE PATTERNS UNLESS OTHERWISE APPROVED BY THE DEVELOPMENT OFFICER.
6. IF THE INFORMATION ON THIS CERTIFICATE HAS BEEN PREPARED BY A PRIVATE DEVELOPER OR THEIR AGENT, THE CITY OF RED DEER ACCEPTS NO RESPONSIBILITY FOR ITS ACCURACY.



VANCOUVER CRESCENT



LEGEND

- SAN, WATER & STORM
- ☉ FIRE HYDRANT
- - - GAS
- ☀ POWER, TELEPHONE & CABLE SERVICE
- STREET LIGHT
- ☒ COMMUNITY MAILBOX
- TRANSFORMER
- EL&P TRANSFORMER
- SHAW PEDESTAL
- ▲ TELEPHONE PEDESTAL
- URD BOX

POWER SERVICE LOCATION IS 1.0m FROM SIDEYARD LOTLINE
 SANITARY AND WATER SERVICE LOCATION IS 3.0m FROM SIDEYARD LOTLINE
 DEPTH OF FILL EXCEEDS 1.2m (BEARING CERTIFICATE REQUIRED)

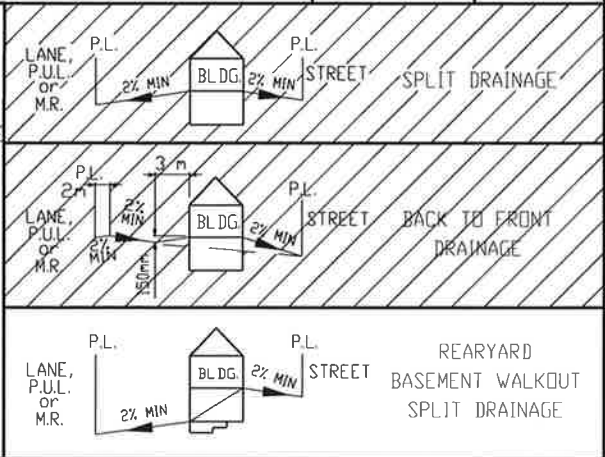
TOP OF FOOTING: MAX. DEPTH BELOW AVERAGE SIDEWALK = <u>2.04</u> LOWEST ELEVATION = <u>898.82</u>	CIVIC ADDRESS: <u>55 VANCOUVER CRESCENT</u> LOT: <u>133</u> BLOCK: <u>4</u> PLAN No.: _____ DEVELOPER: <u>MELCOR DEVELOPMENTS</u> SCALE: <u>1:500</u> DRAWN BY: <u>STANTEC CONSULTING LTD</u> DATE: <u>FEB 19, 2013</u> APPROVED BY: <u>KERRY SAUNDERS</u> DATE: <u>NOV 20, 2013</u> RECEIVED BY: _____ DATE: _____
AS-BUILT SEWER INVERT ELEVATIONS: SANITARY AT 5.0m INSIDE LOT = <u>897.97</u> STORM AT 5.0m INSIDE LOT = <u>897.97</u>	

DESIGN LANDSCAPE ELEVATIONS ELEV. AT FRONT OF HOUSE = <u>901.21</u> ELEV. AT REAR OF HOUSE = <u>899.64</u>	I CERTIFY THAT THE FINAL LANDSCAPE GRADE WILL BE (FRONT) _____ (REAR) _____ SIGNATURE OF OWNER OR REPRESENTATIVE _____
--	--

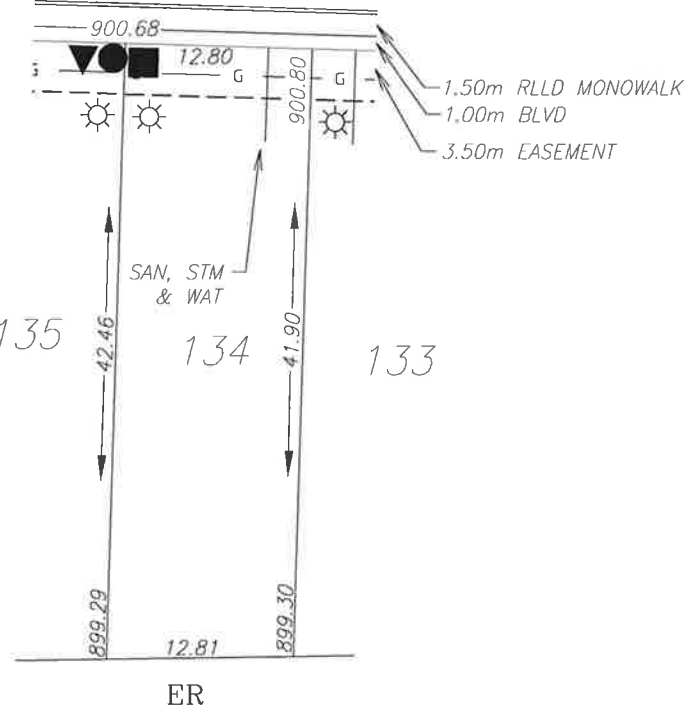
BUILDING GRADE CERTIFICATE

City of Red Deer
 Issued by: _____ No. _____

1. WHEN EXCAVATING IN A RIGHT OF WAY (EASEMENT), CHECK FOR UTILITIES.
2. STANDING AT THE WATER SHUTOFF AND FACING THE BUILDING, THE SANITARY SERVICE (PAINTED RED) IS ON THE LEFT SIDE OF THE WATER SERVICE; STORM SERVICE (PAINTED GREEN) IS ON THE RIGHT SIDE OF THE WATER SERVICE.
3. ALL DIMENSIONS ARE IN METRES AND DECIMALS THERE OF. THE ELEVATIONS ARE IN METRES ABOVE GEODETIC MEAN SEA LEVEL.
4. ELEVATIONS NOTED ON THE CERTIFICATE ARE WITHIN 100mm OF ACTUAL.
5. THE BUILDER MUST CONSTRUCT WITHIN 100mm OF THE DESIGN LANDSCAPE ELEVATION & ILLUSTRATED DRAINAGE PATTERNS UNLESS OTHERWISE APPROVED BY THE DEVELOPMENT OFFICER.
6. IF THE INFORMATION ON THIS CERTIFICATE HAS BEEN PREPARED BY A PRIVATE DEVELOPER OR THEIR AGENT, THE CITY OF RED DEER ACCEPTS NO RESPONSIBILITY FOR ITS ACCURACY.



VANCOUVER CRESCENT



LEGEND

- SAN, WATER & STORM
- ⊙ FIRE HYDRANT
- G- GAS
- ☀ POWER, TELEPHONE & CABLE SERVICE
- STREET LIGHT
- ☒ COMMUNITY MAILBOX
- TRANSFORMER
- EL&P TRANSFORMER
- SHAW PEDESTAL
- ▲ TELEPHONE PEDESTAL
- URD BOX

POWER SERVICE LOCATION IS 1.0m FROM SIDEYARD LOTLINE
 SANITARY AND WATER SERVICE LOCATION IS 3.0m FROM SIDEYARD LOTLINE
 DEPTH OF FILL EXCEEDS 1.2m (BEARING CERTIFICATE REQUIRED)

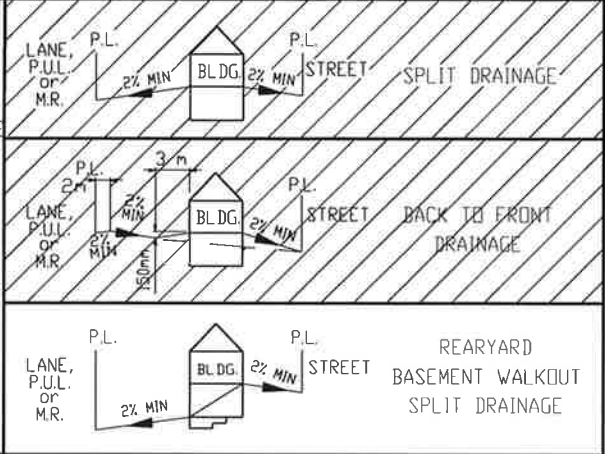
TOP OF FOOTING: MAX. DEPTH BELOW AVERAGE SIDEWALK = <u>1.95</u> LOWEST ELEVATION = <u>898.79</u>	CIVIC ADDRESS: <u>51 VANCOUVER CRESCENT</u> LOT: <u>134</u> BLOCK: <u>4</u> PLAN No.: _____ DEVELOPER: <u>MELCOR DEVELOPMENTS</u> SCALE: <u>1:500</u> DRAWN BY: <u>STANTEC CONSULTING LTD</u> DATE: <u>FEB 19, 2013</u> APPROVED BY: <u>KERRY SAUNDERS</u> DATE: <u>NOV 20, 2013</u> RECEIVED BY: _____ DATE: _____
AS-BUILT SEWER INVERT ELEVATIONS: SANITARY AT 5.0m INSIDE LOT = <u>897.94</u> STORM AT 5.0m INSIDE LOT = <u>897.94</u>	I CERTIFY THAT THE FINAL LANDSCAPE GRADE WILL BE (FRONT) _____ (REAR) _____ SIGNATURE OF OWNER OR REPRESENTATIVE _____
DESIGN LANDSCAPE ELEVATIONS ELEV. AT FRONT OF HOUSE = <u>901.10</u> ELEV. AT REAR OF HOUSE = <u>899.60</u>	

BUILDING GRADE CERTIFICATE

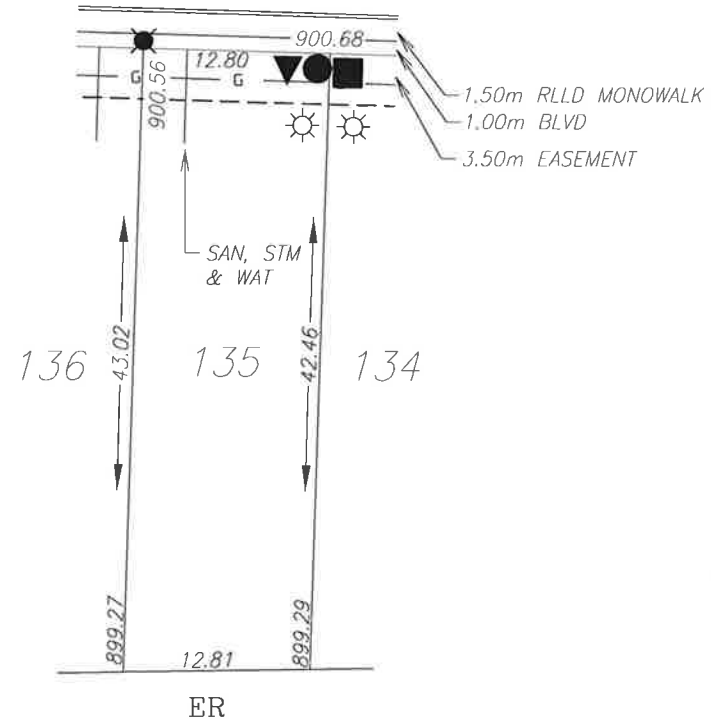
City of Red Deer

Issued by: _____ No. _____

1. WHEN EXCAVATING IN A RIGHT OF WAY (EASEMENT), CHECK FOR UTILITIES.
2. STANDING AT THE WATER SHUTOFF AND FACING THE BUILDING, THE SANITARY SERVICE (PAINTED RED) IS ON THE LEFT SIDE OF THE WATER SERVICE; STORM SERVICE (PAINTED GREEN) IS ON THE RIGHT SIDE OF THE WATER SERVICE.
3. ALL DIMENSIONS ARE IN METRES AND DECIMALS THERE OF. THE ELEVATIONS ARE IN METRES ABOVE GEODETIC MEAN SEA LEVEL.
4. ELEVATIONS NOTED ON THE CERTIFICATE ARE WITHIN 100mm OF ACTUAL.
5. THE BUILDER MUST CONSTRUCT WITHIN 100mm OF THE DESIGN LANDSCAPE ELEVATION & ILLUSTRATED DRAINAGE PATTERNS UNLESS OTHERWISE APPROVED BY THE DEVELOPMENT OFFICER.
6. IF THE INFORMATION ON THIS CERTIFICATE HAS BEEN PREPARED BY A PRIVATE DEVELOPER OR THEIR AGENT, THE CITY OF RED DEER ACCEPTS NO RESPONSIBILITY FOR ITS ACCURACY.



VANCOUVER CRESCENT



- LEGEND**
- SAN, WATER & STORM
 - ⊙ FIRE HYDRANT
 - o- GAS
 - ☀ POWER, TELEPHONE & CABLE SERVICE
 - STREET LIGHT
 - ⊠ COMMUNITY MAILBOX
 - TRANSFORMER
 - EL&P TRANSFORMER
 - SHAW PEDESTAL
 - ▲ TELEPHONE PEDESTAL
 - URD BOX

POWER SERVICE LOCATION IS 1.0m FROM SIDEYARD LOTLINE
 SANITARY AND WATER SERVICE LOCATION IS 3.0m FROM SIDEYARD LOTLINE
 DEPTH OF FILL EXCEEDS 1.2m (BEARING CERTIFICATE REQUIRED)

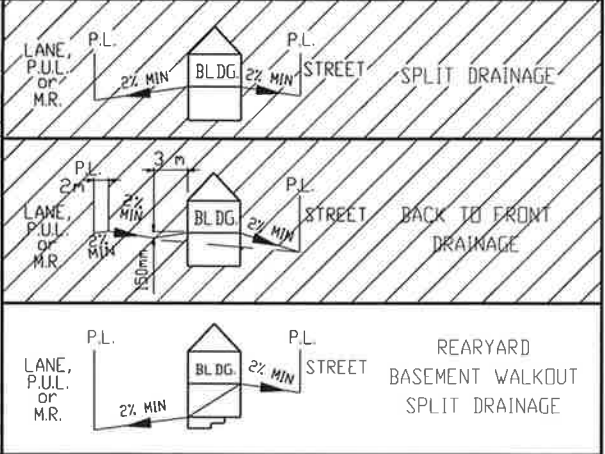
TOP OF FOOTING: MAX. DEPTH BELOW AVERAGE SIDEWALK = <u>1.92</u> LOWEST ELEVATION = <u>898.71</u>	CIVIC ADDRESS: <u>47 VANCOUVER CRESCENT</u> LOT: <u>135</u> BLOCK: <u>4</u> PLAN No.: _____ DEVELOPER: <u>MELCOR DEVELOPMENTS</u> SCALE: <u>1:500</u> DRAWN BY: <u>STANTEC CONSULTING LTD</u> DATE: <u>FEB 19, 2013</u> APPROVED BY: <u>KERRY SAUNDERS</u> DATE: <u>NOV 20, 2013</u> RECEIVED BY: _____ DATE: _____
AS-BUILT SEWER INVERT ELEVATIONS: SANITARY AT 5.0m INSIDE LOT = <u>897.86</u> STORM AT 5.0m INSIDE LOT = <u>897.86</u>	DESIGN LANDSCAPE ELEVATIONS ELEV. AT FRONT OF HOUSE = <u>900.98</u> ELEV. AT REAR OF HOUSE = <u>899.59</u>
I CERTIFY THAT THE FINAL LANDSCAPE GRADE WILL BE (FRONT) _____ (REAR) _____ SIGNATURE OF OWNER OR REPRESENTATIVE _____	

BUILDING GRADE CERTIFICATE

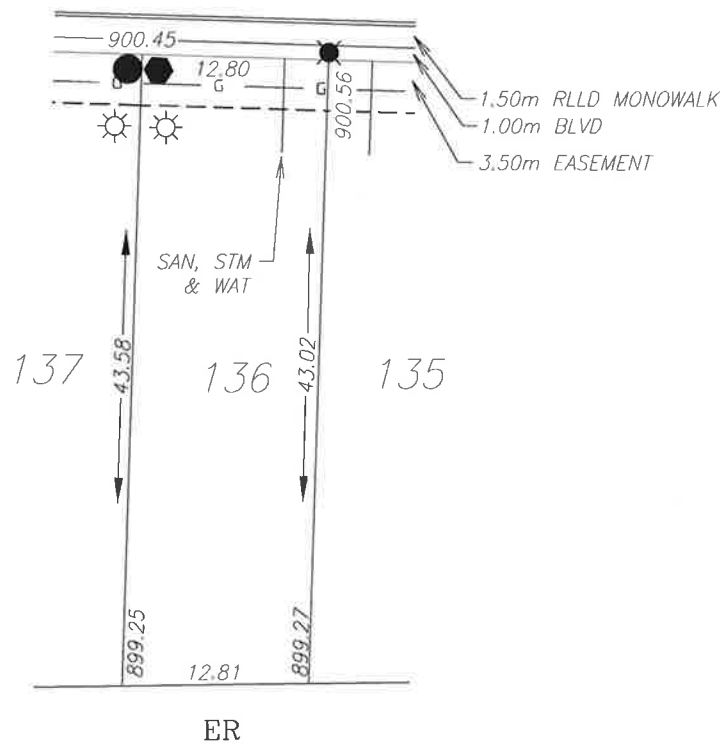
City of Red Deer

Issued by: No.

1. WHEN EXCAVATING IN A RIGHT OF WAY (EASEMENT), CHECK FOR UTILITIES.
2. STANDING AT THE WATER SHUTOFF AND FACING THE BUILDING, THE SANITARY SERVICE (PAINTED RED) IS ON THE LEFT SIDE OF THE WATER SERVICE; STORM SERVICE (PAINTED GREEN) IS ON THE RIGHT SIDE OF THE WATER SERVICE.
3. ALL DIMENSIONS ARE IN METRES AND DECIMALS THERE OF. THE ELEVATIONS ARE IN METRES ABOVE GEODETIC MEAN SEA LEVEL.
4. ELEVATIONS NOTED ON THE CERTIFICATE ARE WITHIN 100mm OF ACTUAL.
5. THE BUILDER MUST CONSTRUCT WITHIN 100mm OF THE DESIGN LANDSCAPE ELEVATION & ILLUSTRATED DRAINAGE PATTERNS UNLESS OTHERWISE APPROVED BY THE DEVELOPMENT OFFICER.
6. IF THE INFORMATION ON THIS CERTIFICATE HAS BEEN PREPARED BY A PRIVATE DEVELOPER OR THEIR AGENT, THE CITY OF RED DEER ACCEPTS NO RESPONSIBILITY FOR ITS ACCURACY.



VANCOUVER CRESCENT



LEGEND

- SAN, WATER & STORM
- ⊙ FIRE HYDRANT
- G- GAS
- ☀ POWER, TELEPHONE & CABLE SERVICE
- STREET LIGHT
- ☒ COMMUNITY MAILBOX
- TRANSFORMER
- EL&P TRANSFORMER
- SHAW PEDESTAL
- ▲ TELEPHONE PEDESTAL
- URD BOX

POWER SERVICE LOCATION IS 1.0m FROM SIDEYARD LOTLINE
 SANITARY AND WATER SERVICE LOCATION IS 3.0m FROM SIDEYARD LOTLINE
 DEPTH OF FILL EXCEEDS 1.2m (BEARING CERTIFICATE REQUIRED)

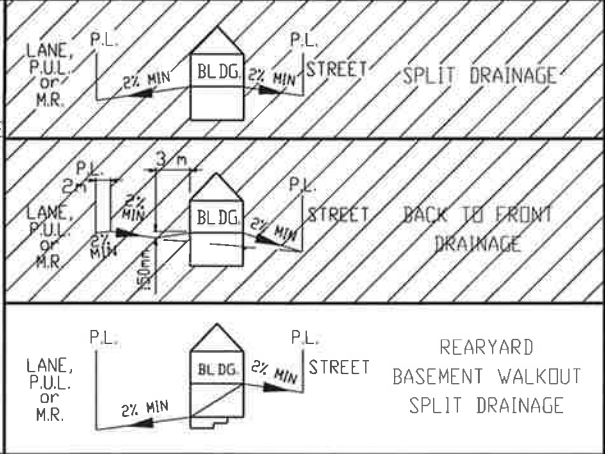
TOP OF FOOTING: MAX. DEPTH BELOW AVERAGE SIDEWALK = <u>1.80</u> LOWEST ELEVATION = <u>898.71</u>	CIVIC ADDRESS: <u>43 VANCOUVER CRESCENT</u> LOT: <u>136</u> BLOCK: <u>4</u> PLAN No.: _____ DEVELOPER: <u>MELCOR DEVELOPMENTS</u> SCALE: <u>1:500</u> DRAWN BY: <u>STANTEC CONSULTING LTD</u> DATE: <u>FEB 19, 2013</u> APPROVED BY: <u>KERRY SAUNDERS</u> DATE: <u>NOV 20, 2013</u> RECEIVED BY: _____ DATE: _____
AS-BUILT SEWER INVERT ELEVATIONS: SANITARY AT 5.0m INSIDE LOT = <u>897.86</u> STORM AT 5.0m INSIDE LOT = <u>897.86</u>	DESIGN LANDSCAPE ELEVATIONS ELEV. AT FRONT OF HOUSE = <u>900.86</u> ELEV. AT REAR OF HOUSE = <u>899.57</u>
I CERTIFY THAT THE FINAL LANDSCAPE GRADE WILL BE (FRONT) _____ (REAR) _____ SIGNATURE OF OWNER OR REPRESENTATIVE _____	

BUILDING GRADE CERTIFICATE

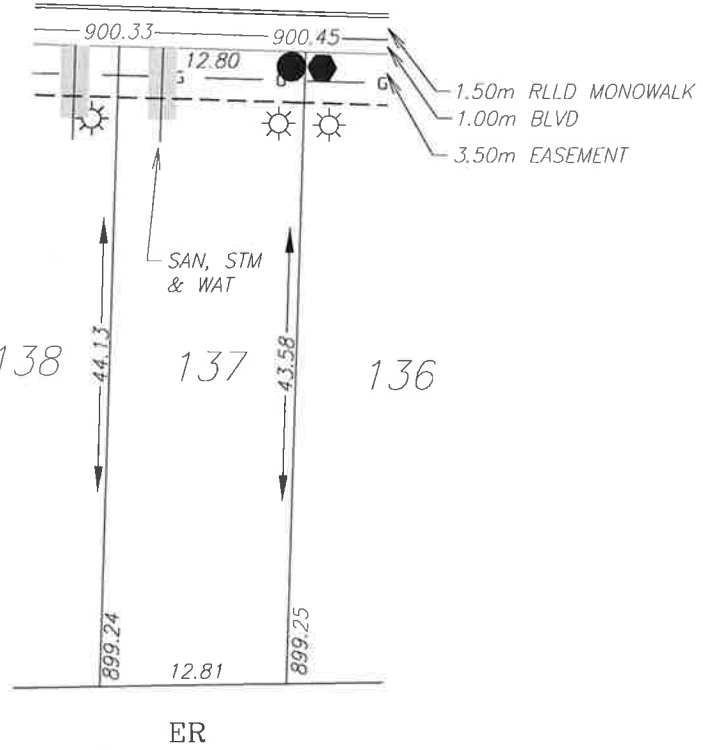
City of Red Deer

Issued by: No.

1. WHEN EXCAVATING IN A RIGHT OF WAY (EASEMENT), CHECK FOR UTILITIES.
2. STANDING AT THE WATER SHUTOFF AND FACING THE BUILDING, THE SANITARY SERVICE (PAINTED RED) IS ON THE LEFT SIDE OF THE WATER SERVICE; STORM SERVICE (PAINTED GREEN) IS ON THE RIGHT SIDE OF THE WATER SERVICE.
3. ALL DIMENSIONS ARE IN METRES AND DECIMALS THERE OF. THE ELEVATIONS ARE IN METRES ABOVE GEODETIC MEAN SEA LEVEL.
4. ELEVATIONS NOTED ON THE CERTIFICATE ARE WITHIN 100mm OF ACTUAL.
5. THE BUILDER MUST CONSTRUCT WITHIN 100mm OF THE DESIGN LANDSCAPE ELEVATION & ILLUSTRATED DRAINAGE PATTERNS UNLESS OTHERWISE APPROVED BY THE DEVELOPMENT OFFICER.
6. IF THE INFORMATION ON THIS CERTIFICATE HAS BEEN PREPARED BY A PRIVATE DEVELOPER OR THEIR AGENT, THE CITY OF RED DEER ACCEPTS NO RESPONSIBILITY FOR ITS ACCURACY.



VANCOUVER CRESCENT



LEGEND

- SAN, WATER & STORM
- ⊙ FIRE HYDRANT
- - - GAS
- ☀ POWER, TELEPHONE & CABLE SERVICE
- STREET LIGHT
- ⊠ COMMUNITY MAILBOX
- TRANSFORMER
- EL&P TRANSFORMER
- SHAW PEDESTAL
- ▲ TELEPHONE PEDESTAL
- URD BOX

POWER SERVICE LOCATION IS 1.0m FROM SIDEYARD LOTLINE
 SANITARY AND WATER SERVICE LOCATION IS 3.0m FROM SIDEYARD LOTLINE
 DEPTH OF FILL EXCEEDS 1.2m (BEARING CERTIFICATE REQUIRED)

TOP OF FOOTING:
 MAX. DEPTH BELOW AVERAGE SIDEWALK = 1.78
 LOWEST ELEVATION = 898.61

AS-BUILT SEWER INVERT ELEVATIONS:
 SANITARY AT 5.0m INSIDE LOT = 897.76
 STORM AT 5.0m INSIDE LOT = 897.76

CIVIC ADDRESS: 39 VANCOUVER CRESCENT
 LOT: 137 BLOCK: 4 PLAN No.: _____
 DEVELOPER: MELCOR DEVELOPMENTS SCALE: 1:500
 DRAWN BY: STANTEC CONSULTING LTD DATE: FEB 19, 2013
 APPROVED BY: KERRY SAUNDERS DATE: NOV 20, 2013
 RECEIVED BY: _____ DATE: _____

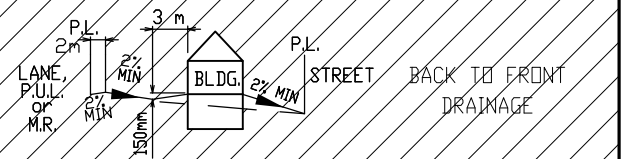
DESIGN LANDSCAPE ELEVATIONS
 ELEV. AT FRONT OF HOUSE = 900.75
 ELEV. AT REAR OF HOUSE = 899.55

I CERTIFY THAT THE FINAL LANDSCAPE GRADE WILL BE (FRONT) _____
 (REAR) _____
 SIGNATURE OF OWNER OR REPRESENTATIVE _____

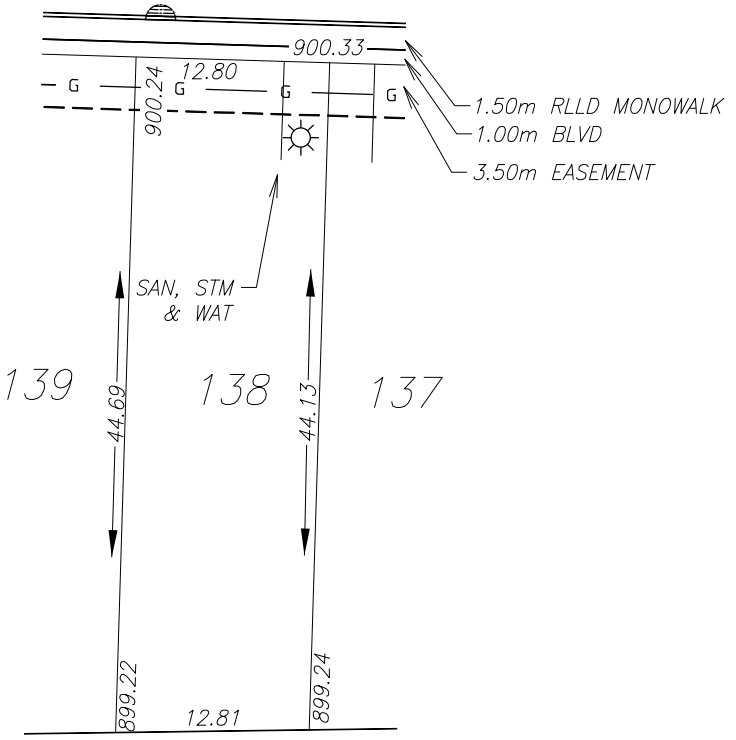
BUILDING GRADE CERTIFICATE

City of Red Deer
 Issued by: _____ No. _____

1. WHEN EXCAVATING IN A RIGHT OF WAY (EASEMENT), CHECK FOR UTILITIES.
2. STANDING AT THE WATER SHUTOFF AND FACING THE BUILDING, THE SANITARY SERVICE (PAINTED RED) IS ON THE LEFT SIDE OF THE WATER SERVICE; STORM SERVICE (PAINTED GREEN) IS ON THE RIGHT SIDE OF THE WATER SERVICE.
3. ALL DIMENSIONS ARE IN METRES AND DECIMALS THERE OF. THE ELEVATIONS ARE IN METRES ABOVE GEODETIC MEAN SEA LEVEL.
4. ELEVATIONS NOTED ON THE CERTIFICATE ARE WITHIN 100mm OF ACTUAL.
5. THE BUILDER MUST CONSTRUCT WITHIN 100mm OF THE DESIGN LANDSCAPE ELEVATION & ILLUSTRATED DRAINAGE PATTERNS UNLESS OTHERWISE APPROVED BY THE DEVELOPMENT OFFICER.
6. IF THE INFORMATION ON THIS CERTIFICATE HAS BEEN PREPARED BY A PRIVATE DEVELOPER OR THEIR AGENT, THE CITY OF RED DEER ACCEPTS NO RESPONSIBILITY FOR ITS ACCURACY.



VANCOUVER CRESCENT



LEGEND

- SAN, WATER & STORM
- ⊙ FIRE HYDRANT
- - - GAS
- ☀ POWER, TELEPHONE & CABLE SERVICE
- ⦿ STREET LIGHT
- ☒ COMMUNITY MAILBOX
- TRANSFORMER
- EL&P TRANSFORMER
- SHAW PEDESTAL
- ▲ TELEPHONE PEDESTAL
- URD BOX

POWER SERVICE LOCATION IS 1.0m FROM SIDEYARD LOTLINE
 SANITARY AND WATER SERVICE LOCATION IS 3.0m FROM SIDEYARD LOTLINE
 DEPTH OF FILL EXCEEDS 1.2m (BEARING CERTIFICATE REQUIRED)

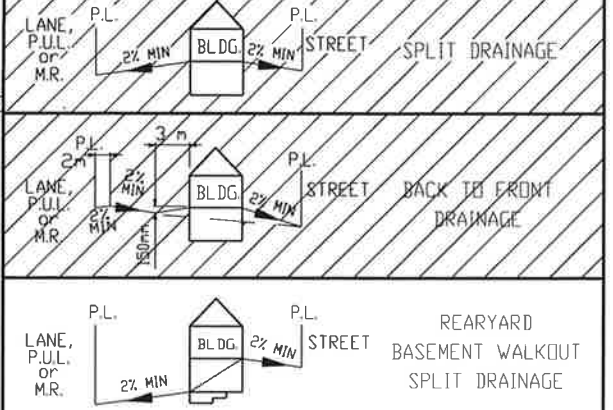
TOP OF FOOTING: MAX. DEPTH BELOW AVERAGE SIDEWALK = <u>1.67</u> LOWEST ELEVATION = <u>898.62</u>	CIVIC ADDRESS: <u>35 VANCOUVER CRESCENT</u> LOT: <u>138</u> BLOCK: <u>4</u> PLAN No.: _____ DEVELOPER: <u>MELCOR DEVELOPMENTS</u> SCALE: <u>1:500</u> DRAWN BY: <u>STANTEC CONSULTING LTD</u> DATE: <u>FEB 19, 2013</u> APPROVED BY: <u>KERRY SAUNDERS</u> DATE: <u>NOV 20, 2013</u> RECEIVED BY: _____ DATE: _____
AS-BUILT SEWER INVERT ELEVATIONS: SANITARY AT 5.0m INSIDE LOT = <u>897.77</u> STORM AT 5.0m INSIDE LOT = <u>897.77</u>	I CERTIFY THAT THE FINAL LANDSCAPE GRADE WILL BE (FRONT) _____ (REAR) _____ SIGNATURE OF OWNER OR REPRESENTATIVE _____
DESIGN LANDSCAPE ELEVATIONS ELEV. AT FRONT OF HOUSE = <u>900.63</u> ELEV. AT REAR OF HOUSE = <u>899.54</u>	

BUILDING GRADE CERTIFICATE

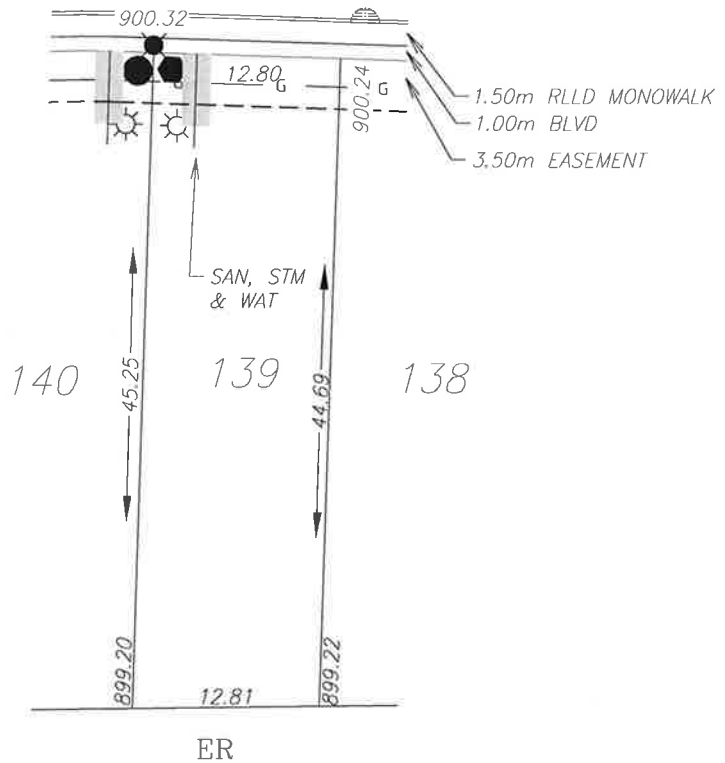
City of Red Deer

Issued by: _____ No. _____

1. WHEN EXCAVATING IN A RIGHT OF WAY (EASEMENT), CHECK FOR UTILITIES.
2. STANDING AT THE WATER SHUTOFF AND FACING THE BUILDING, THE SANITARY SERVICE (PAINTED RED) IS ON THE LEFT SIDE OF THE WATER SERVICE. STORM SERVICE (PAINTED GREEN) IS ON THE RIGHT SIDE OF THE WATER SERVICE.
3. ALL DIMENSIONS ARE IN METRES AND DECIMALS THERE OF. THE ELEVATIONS ARE IN METRES ABOVE GEODETIC MEAN SEA LEVEL.
4. ELEVATIONS NOTED ON THE CERTIFICATE ARE WITHIN 100mm OF ACTUAL.
5. THE BUILDER MUST CONSTRUCT WITHIN 100mm OF THE DESIGN LANDSCAPE ELEVATION & ILLUSTRATED DRAINAGE PATTERNS UNLESS OTHERWISE APPROVED BY THE DEVELOPMENT OFFICER.
6. IF THE INFORMATION ON THIS CERTIFICATE HAS BEEN PREPARED BY A PRIVATE DEVELOPER OR THEIR AGENT, THE CITY OF RED DEER ACCEPTS NO RESPONSIBILITY FOR ITS ACCURACY.



VANCOUVER CRESCENT



LEGEND

- SAN, WATER & STORM
- ⊙ FIRE HYDRANT
- G- GAS
- ☀ POWER, TELEPHONE & CABLE SERVICE
- STREET LIGHT
- ⊠ COMMUNITY MAILBOX
- TRANSFORMER
- EL&P TRANSFORMER
- SHAW PEDESTAL
- ▲ TELEPHONE PEDESTAL
- URD BOX

POWER SERVICE LOCATION IS 1.0m FROM SIDEYARD LOTLINE
 SANITARY AND WATER SERVICE LOCATION IS 3.0m FROM SIDEYARD LOTLINE
 DEPTH OF FILL EXCEEDS 1.2m (BEARING CERTIFICATE REQUIRED)

TOP OF FOOTING:
 MAX. DEPTH BELOW AVERAGE SIDEWALK = 1.78
 LOWEST ELEVATION = 898.50

AS-BUILT SEWER INVERT ELEVATIONS:
 SANITARY AT 5.0m INSIDE LOT = 897.65
 STORM AT 5.0m INSIDE LOT = 897.65

CIVIC ADDRESS: 31 VANCOUVER CRESCENT
 LOT: 139 BLOCK: 4 PLAN No.: _____
 DEVELOPER: MELCOR DEVELOPMENTS SCALE: 1:500
 DRAWN BY: STANTEC CONSULTING LTD DATE: FEB 19, 2013
 APPROVED BY: KERRY SAUNDERS DATE: NOV 20, 2013
 RECEIVED BY: _____ DATE: _____

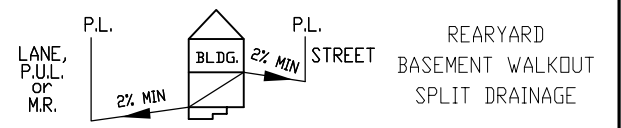
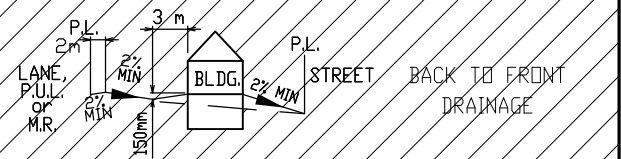
DESIGN LANDSCAPE ELEVATIONS
 ELEV. AT FRONT OF HOUSE = 900.62
 ELEV. AT REAR OF HOUSE = 899.52

I CERTIFY THAT THE FINAL LANDSCAPE GRADE WILL BE (FRONT) _____
 (REAR) _____
 SIGNATURE OF OWNER OR REPRESENTATIVE _____

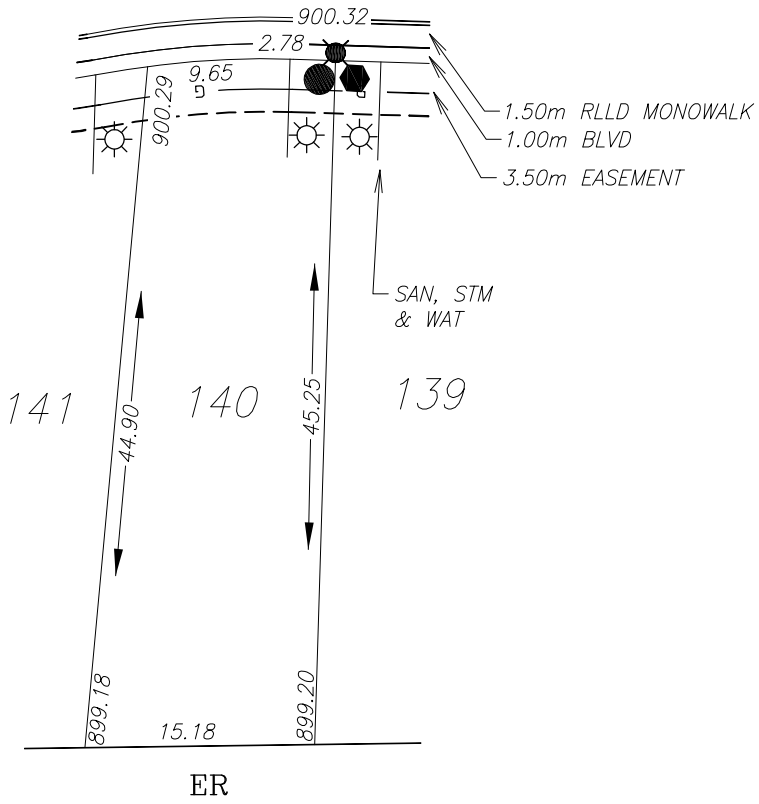
BUILDING GRADE CERTIFICATE

City of Red Deer
 Issued by: No.

1. WHEN EXCAVATING IN A RIGHT OF WAY (EASEMENT), CHECK FOR UTILITIES.
2. STANDING AT THE WATER SHUTOFF AND FACING THE BUILDING, THE SANITARY SERVICE (PAINTED RED) IS ON THE LEFT SIDE OF THE WATER SERVICE; STORM SERVICE (PAINTED GREEN) IS ON THE RIGHT SIDE OF THE WATER SERVICE.
3. ALL DIMENSIONS ARE IN METRES AND DECIMALS THERE OF. THE ELEVATIONS ARE IN METRES ABOVE GEODETIC MEAN SEA LEVEL.
4. ELEVATIONS NOTED ON THE CERTIFICATE ARE WITHIN 100mm OF ACTUAL.
5. THE BUILDER MUST CONSTRUCT WITHIN 100mm OF THE DESIGN LANDSCAPE ELEVATION & ILLUSTRATED DRAINAGE PATTERNS UNLESS OTHERWISE APPROVED BY THE DEVELOPMENT OFFICER.
6. IF THE INFORMATION ON THIS CERTIFICATE HAS BEEN PREPARED BY A PRIVATE DEVELOPER OR THEIR AGENT, THE CITY OF RED DEER ACCEPTS NO RESPONSIBILITY FOR ITS ACCURACY.



VANCOUVER CRESCENT



LEGEND

- SAN, WATER & STORM
- ⊙ FIRE HYDRANT
- - - GAS
- ☀ POWER, TELEPHONE & CABLE SERVICE
- STREET LIGHT
- ⊠ COMMUNITY MAILBOX
- TRANSFORMER
- EL&P TRANSFORMER
- SHAW PEDESTAL
- ▲ TELEPHONE PEDESTAL
- URD BOX

POWER SERVICE LOCATION IS 1.0m FROM SIDEYARD LOTLINE
 SANITARY AND WATER SERVICE LOCATION IS 3.0m FROM SIDEYARD LOTLINE
 DEPTH OF FILL EXCEEDS 1.2m (BEARING CERTIFICATE REQUIRED)

TOP OF FOOTING: MAX. DEPTH BELOW AVERAGE SIDEWALK = <u>1.67</u> LOWEST ELEVATION = <u>898.52</u>	CIVIC ADDRESS: <u>27 VANCOUVER CRESCENT</u> LOT: <u>140</u> BLOCK: <u>4</u> PLAN No.: _____ DEVELOPER: <u>MELCOR DEVELOPMENTS</u> SCALE: <u>1:500</u> DRAWN BY: <u>STANTEC CONSULTING LTD</u> DATE: <u>FEB 19, 2013</u> APPROVED BY: <u>KERRY SAUNDERS</u> DATE: <u>NOV 20, 2013</u> RECEIVED BY: _____ DATE: _____
AS-BUILT SEWER INVERT ELEVATIONS: SANITARY AT 5.0m INSIDE LOT = <u>897.67</u> STORM AT 5.0m INSIDE LOT = <u>897.67</u>	DESIGN LANDSCAPE ELEVATIONS ELEV. AT FRONT OF HOUSE = <u>900.62</u> ELEV. AT REAR OF HOUSE = <u>899.50</u>
I CERTIFY THAT THE FINAL LANDSCAPE GRADE WILL BE (FRONT) _____ (REAR) _____ SIGNATURE OF OWNER OR REPRESENTATIVE _____	

BUILDING GRADE CERTIFICATE

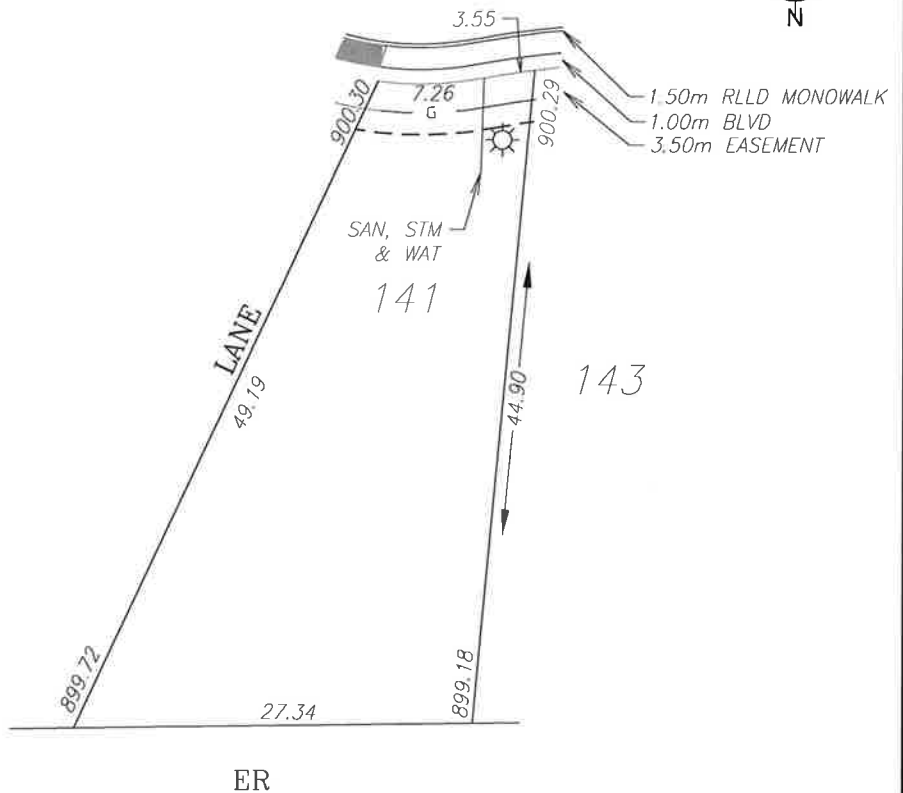
City of Red Deer

Issued by: No.

1. WHEN EXCAVATING IN A RIGHT OF WAY (EASEMENT), CHECK FOR UTILITIES.
2. STANDING AT THE WATER SHUTOFF AND FACING THE BUILDING, THE SANITARY SERVICE (PAINTED RED) IS ON THE LEFT SIDE OF THE WATER SERVICE; STORM SERVICE (PAINTED GREEN) IS ON THE RIGHT SIDE OF THE WATER SERVICE.
3. ALL DIMENSIONS ARE IN METRES AND DECIMALS THERE OF. THE ELEVATIONS ARE IN METRES ABOVE GEODETIC MEAN SEA LEVEL.
4. ELEVATIONS NOTED ON THE CERTIFICATE ARE WITHIN 100mm OF ACTUAL.
5. THE BUILDER MUST CONSTRUCT WITHIN 100mm OF THE DESIGN LANDSCAPE ELEVATION & ILLUSTRATED DRAINAGE PATTERNS UNLESS OTHERWISE APPROVED BY THE DEVELOPMENT OFFICER.
6. IF THE INFORMATION ON THIS CERTIFICATE HAS BEEN PREPARED BY A PRIVATE DEVELOPER OR THEIR AGENT, THE CITY OF RED DEER ACCEPTS NO RESPONSIBILITY FOR ITS ACCURACY.



VANCOUVER CRESCENT



LEGEND

- SAN, WATER & STORM
- ⊙ FIRE HYDRANT
- - - GAS
- ☀ POWER, TELEPHONE & CABLE SERVICE
- STREET LIGHT
- ☒ COMMUNITY MAILBOX
- TRANSFORMER
- EL&P TRANSFORMER
- SHAW PEDESTAL
- ▲ TELEPHONE PEDESTAL
- URD BOX

POWER SERVICE LOCATION IS 1.0m FROM SIDEYARD LOTLINE
 SANITARY AND WATER SERVICE LOCATION IS 3.0m FROM SIDEYARD LOTLINE
 DEPTH OF FILL EXCEEDS 1.2m (BEARING CERTIFICATE REQUIRED)

TOP OF FOOTING:
 MAX. DEPTH BELOW AVERAGE SIDEWALK = 2.13
 LOWEST ELEVATION = 898.17

AS-BUILT SEWER INVERT ELEVATIONS:
 SANITARY AT 5.0m INSIDE LOT = 897.32
 STORM AT 5.0m INSIDE LOT = 897.32

CIVIC ADDRESS: 23 VANCOUVER CRESCENT
 LOT: 141 BLOCK: 4 PLAN No.:
 DEVELOPER: MELCOR DEVELOPMENTS SCALE: 1:500
 DRAWN BY: STANTEC CONSULTING LTD DATE: FEB 19, 2013
 APPROVED BY: KERRY SAUNDERS DATE: NOV 20, 2013
 RECEIVED BY: DATE:

DESIGN LANDSCAPE ELEVATIONS
 ELEV. AT FRONT OF HOUSE = 900.60
 ELEV. AT REAR OF HOUSE = 899.57

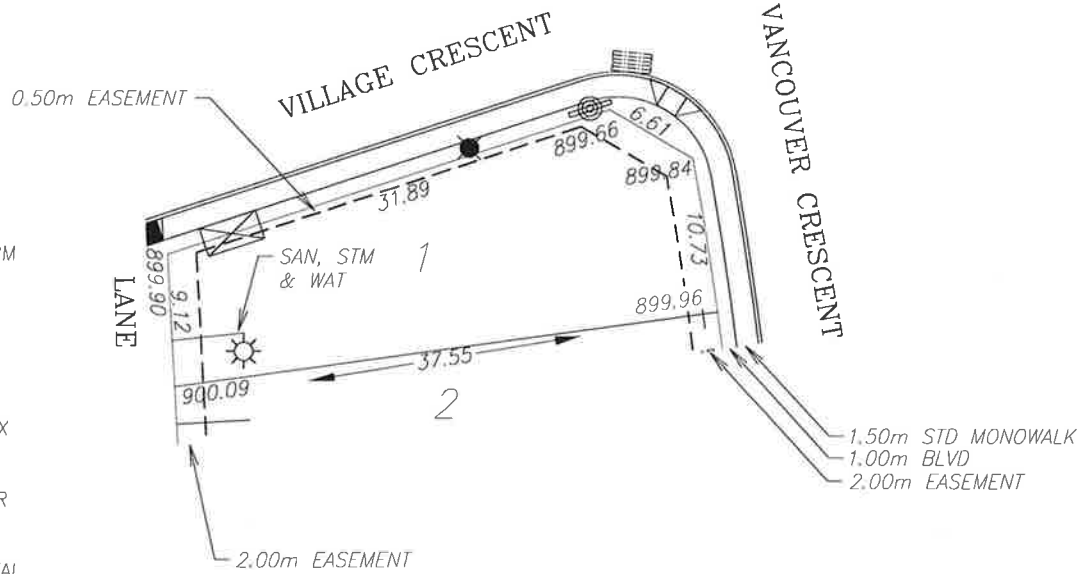
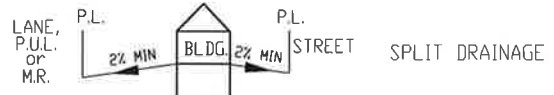
I CERTIFY THAT THE FINAL LANDSCAPE GRADE WILL BE (FRONT) _____ (REAR) _____
 SIGNATURE OF OWNER OR REPRESENTATIVE _____

BUILDING GRADE CERTIFICATE

City of Red Deer

Issued by: No.

1. WHEN EXCAVATING IN A RIGHT OF WAY (EASEMENT), CHECK FOR UTILITIES.
2. STANDING AT THE WATER SHUTOFF AND FACING THE BUILDING, THE SANITARY SERVICE (PAINTED RED) IS ON THE LEFT SIDE OF THE WATER SERVICE: STORM SERVICE (PAINTED GREEN) IS ON THE RIGHT SIDE OF THE WATER SERVICE.
3. ALL DIMENSIONS ARE IN METRES AND DECIMALS THERE OF. THE ELEVATIONS ARE IN METRES ABOVE GEODETIC MEAN SEA LEVEL.
4. ELEVATIONS NOTED ON THE CERTIFICATE ARE WITHIN 100mm OF ACTUAL.
5. THE BUILDER MUST CONSTRUCT WITHIN 100mm OF THE DESIGN LANDSCAPE ELEVATION & ILLUSTRATED DRAINAGE PATTERNS UNLESS OTHERWISE APPROVED BY THE DEVELOPMENT OFFICER.
6. IF THE INFORMATION ON THIS CERTIFICATE HAS BEEN PREPARED BY A PRIVATE DEVELOPER OR THEIR AGENT, THE CITY OF RED DEER ACCEPTS NO RESPONSIBILITY FOR ITS ACCURACY.



LEGEND

- SAN, WATER & STORM
- ⊙ FIRE HYDRANT
- - GAS
- ☀ POWER, TELEPHONE & CABLE SERVICE
- STREET LIGHT
- ⊠ COMMUNITY MAILBOX
- TRANSFORMER
- EL&P TRANSFORMER
- SHAW PEDESTAL
- ▲ TELEPHONE PEDESTAL
- URD BOX

POWER SERVICE LOCATION IS 1.0m FROM SIDEYARD LOTLINE
 SANITARY AND WATER SERVICE LOCATION IS 3.17m FROM SIDEYARD LOTLINE
 DEPTH OF FILL EXCEEDS 1.2m (BEARING CERTIFICATE REQUIRED)

TOP OF FOOTING:
 MAX. DEPTH BELOW AVERAGE SIDEWALK = 1.63
 LOWEST ELEVATION = 898.19

AS-BUILT SEWER INVERT ELEVATIONS:
 SANITARY AT 5.0m INSIDE LOT = 897.34
 STORM AT 5.0m INSIDE LOT = 897.34

CIVIC ADDRESS: 170 VANCOUVER CRESCENT

LOT: 1 BLOCK: 7 PLAN No.:

DEVELOPER: MELCOR DEVELOPMENTS SCALE: 1:500

DRAWN BY: STANTEC CONSULTING LTD DATE: FEB 19, 2013

APPROVED BY: KERRY SAUNDERS DATE: NOV 20, 2013

RECEIVED BY: DATE:

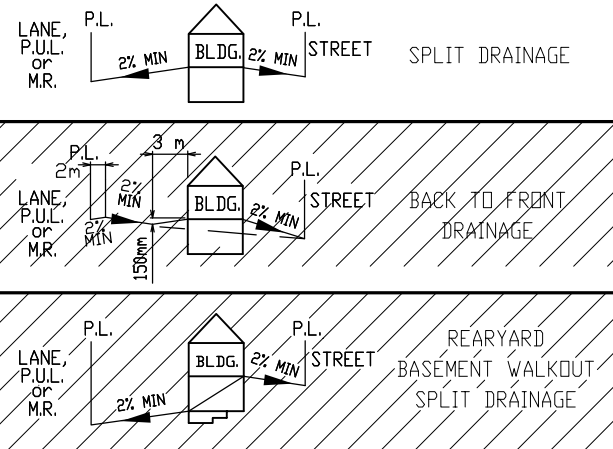
DESIGN LANDSCAPE ELEVATIONS
 ELEV. AT FRONT OF HOUSE = 900.26
 ELEV. AT REAR OF HOUSE = 900.39

I CERTIFY THAT THE FINAL LANDSCAPE GRADE WILL BE (FRONT) _____
 (REAR) _____
 SIGNATURE OF OWNER OR REPRESENTATIVE _____

BUILDING GRADE CERTIFICATE

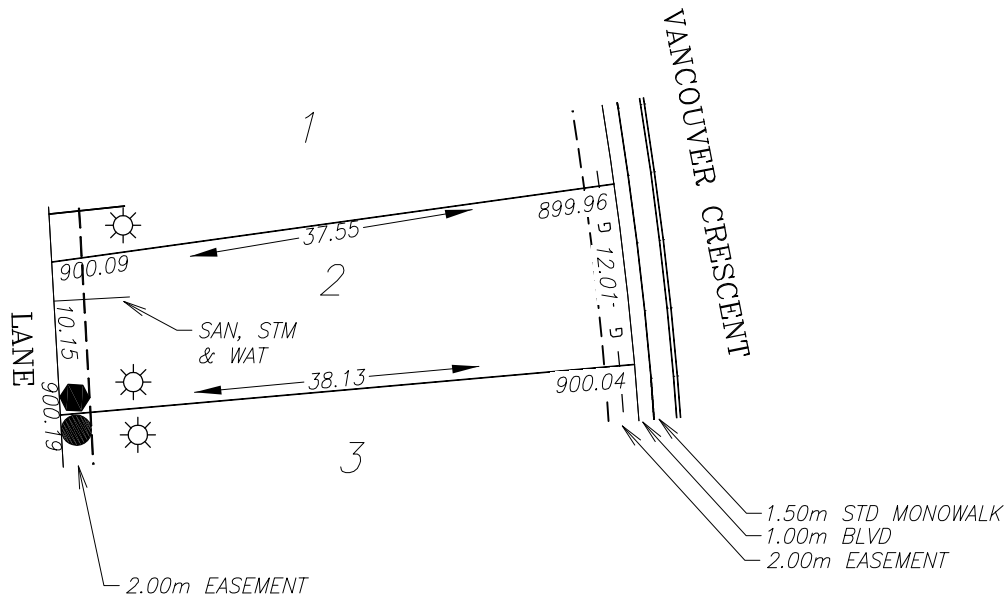
City of Red Deer
 Issued by: _____ No. _____

1. WHEN EXCAVATING IN A RIGHT OF WAY (EASEMENT), CHECK FOR UTILITIES.
2. STANDING AT THE WATER SHUTOFF AND FACING THE BUILDING, THE SANITARY SERVICE (PAINTED RED) IS ON THE LEFT SIDE OF THE WATER SERVICE; STORM SERVICE (PAINTED GREEN) IS ON THE RIGHT SIDE OF THE WATER SERVICE.
3. ALL DIMENSIONS ARE IN METRES AND DECIMALS THERE OF. THE ELEVATIONS ARE IN METRES ABOVE GEODETIC MEAN SEA LEVEL.
4. ELEVATIONS NOTED ON THE CERTIFICATE ARE WITHIN 100mm OF ACTUAL.
5. THE BUILDER MUST CONSTRUCT WITHIN 100mm OF THE DESIGN LANDSCAPE ELEVATION & ILLUSTRATED DRAINAGE PATTERNS UNLESS OTHERWISE APPROVED BY THE DEVELOPMENT OFFICER.
6. IF THE INFORMATION ON THIS CERTIFICATE HAS BEEN PREPARED BY A PRIVATE DEVELOPER OR THEIR AGENT, THE CITY OF RED DEER ACCEPTS NO RESPONSIBILITY FOR ITS ACCURACY.



LEGEND

- SAN, WATER & STORM
- ⊙ FIRE HYDRANT
- - - GAS
- ☀ POWER, TELEPHONE & CABLE SERVICE
- ⊙ STREET LIGHT
- ⊠ COMMUNITY MAILBOX
- TRANSFORMER
- EL&P TRANSFORMER
- SHAW PEDESTAL
- ▲ TELEPHONE PEDESTAL
- URD BOX



POWER SERVICE LOCATION IS 1.0m FROM SIDEYARD LOTLINE
 SANITARY AND WATER SERVICE LOCATION IS 2.60m FROM SIDEYARD LOTLINE
 DEPTH OF FILL EXCEEDS 1.2m (BEARING CERTIFICATE REQUIRED)

TOP OF FOOTING: MAX. DEPTH BELOW AVERAGE SIDEWALK = <u>1.68</u> LOWEST ELEVATION = <u>898.22</u>
AS-BUILT SEWER INVERT ELEVATIONS: SANITARY AT 5.0m INSIDE LOT = <u>897.37</u> STORM AT 5.0m INSIDE LOT = <u>897.37</u>

CIVIC ADDRESS: <u>166 VANCOUVER CRESCENT</u>
LOT: <u>2</u> BLOCK: <u>7</u> PLAN No.: _____
DEVELOPER: <u>MELCOR DEVELOPMENTS</u> SCALE: <u>1:500</u>
DRAWN BY: <u>STANTEC CONSULTING LTD</u> DATE: <u>FEB 19, 2013</u>
APPROVED BY: <u>KERRY SAUNDERS</u> DATE: <u>NOV 20, 2013</u>
RECEIVED BY: _____ DATE: _____

DESIGN LANDSCAPE ELEVATIONS ELEV. AT FRONT OF HOUSE = <u>900.34</u> ELEV. AT REAR OF HOUSE = <u>900.49</u>
--

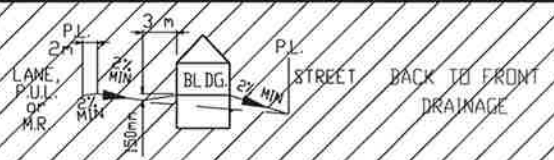
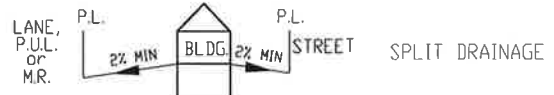
I CERTIFY THAT THE FINAL LANDSCAPE GRADE WILL BE (FRONT) _____
 (REAR) _____
 SIGNATURE OF OWNER OR REPRESENTATIVE _____

BUILDING GRADE CERTIFICATE

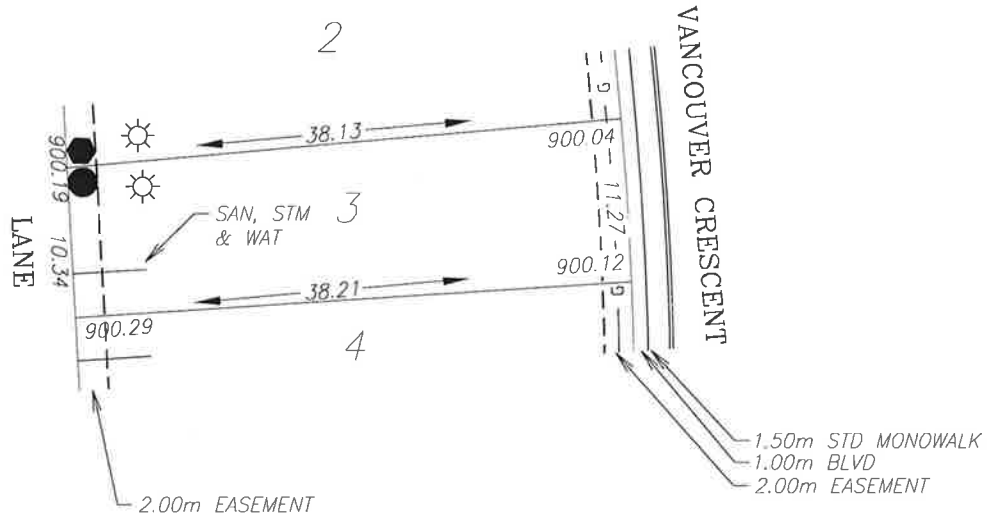
City of Red Deer

Issued by: No.

1. WHEN EXCAVATING IN A RIGHT OF WAY (EASEMENT), CHECK FOR UTILITIES.
2. STANDING AT THE WATER SHUTOFF AND FACING THE BUILDING, THE SANITARY SERVICE (PAINTED RED) IS ON THE LEFT SIDE OF THE WATER SERVICE: STORM SERVICE (PAINTED GREEN) IS ON THE RIGHT SIDE OF THE WATER SERVICE.
3. ALL DIMENSIONS ARE IN METRES AND DECIMALS THERE OF. THE ELEVATIONS ARE IN METRES ABOVE GEODETIC MEAN SEA LEVEL.
4. ELEVATIONS NOTED ON THE CERTIFICATE ARE WITHIN 100mm OF ACTUAL.
5. THE BUILDER MUST CONSTRUCT WITHIN 100mm OF THE DESIGN LANDSCAPE ELEVATION & ILLUSTRATED DRAINAGE PATTERNS UNLESS OTHERWISE APPROVED BY THE DEVELOPMENT OFFICER.
6. IF THE INFORMATION ON THIS CERTIFICATE HAS BEEN PREPARED BY A PRIVATE DEVELOPER OR THEIR AGENT, THE CITY OF RED DEER ACCEPTS NO RESPONSIBILITY FOR ITS ACCURACY.



- LEGEND**
- SAN, WATER & STORM
 - ⊗ FIRE HYDRANT
 - G- GAS
 - ☀ POWER, TELEPHONE & CABLE SERVICE
 - STREET LIGHT
 - ⊠ COMMUNITY MAILBOX
 - TRANSFORMER
 - EL&P TRANSFORMER
 - SHAW PEDESTAL
 - ▲ TELEPHONE PEDESTAL
 - URD BOX



POWER SERVICE LOCATION IS 1.0m FROM SIDEYARD LOTLINE
 SANITARY AND WATER SERVICE LOCATION IS 3.0m FROM SIDEYARD LOTLINE
 DEPTH OF FILL EXCEEDS 1.2m (BEARING CERTIFICATE REQUIRED)

TOP OF FOOTING:
 MAX. DEPTH BELOW AVERAGE SIDEWALK = 1.81
 LOWEST ELEVATION = 898.27

AS-BUILT SEWER INVERT ELEVATIONS:
 SANITARY AT 5.0m INSIDE LOT = 897.42
 STORM AT 5.0m INSIDE LOT = 897.42

CIVIC ADDRESS: 162 VANCOUVER CRESCENT
 LOT: 3 BLOCK: 7 PLAN No.: _____
 DEVELOPER: MELCOR DEVELOPMENTS SCALE: 1:500
 DRAWN BY: STANTEC CONSULTING LTD DATE: FEB 19, 2013
 APPROVED BY: KERRY SAUNDERS DATE: NOV 20, 2013
 RECEIVED BY: _____ DATE: _____

DESIGN LANDSCAPE ELEVATIONS
 ELEV. AT FRONT OF HOUSE = 900.42
 ELEV. AT REAR OF HOUSE = 900.59

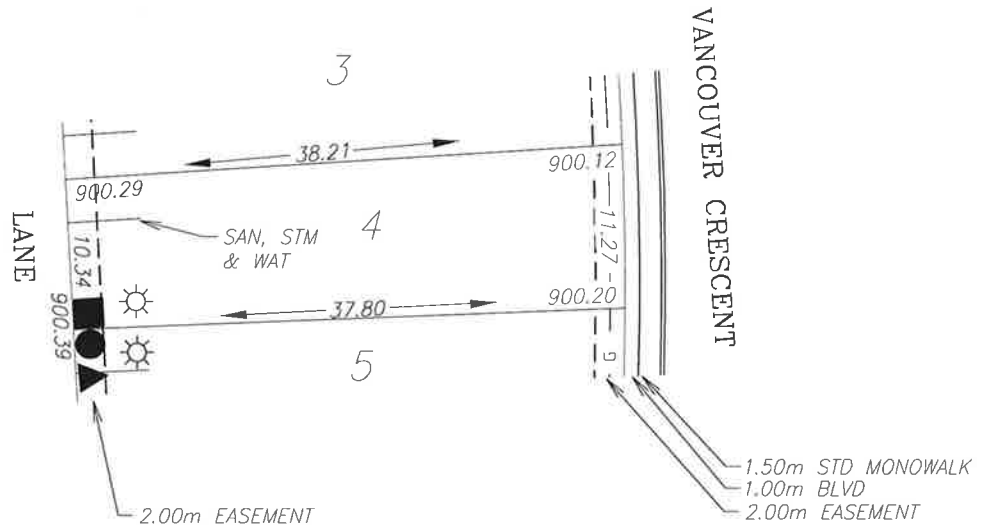
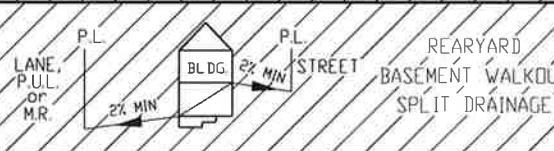
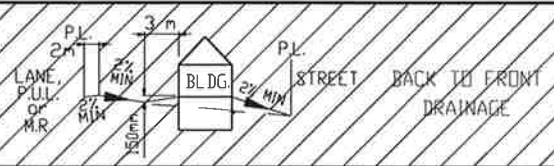
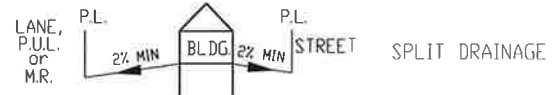
I CERTIFY THAT THE FINAL LANDSCAPE GRADE WILL BE (FRONT) _____ (REAR) _____
 SIGNATURE OF OWNER OR REPRESENTATIVE _____

BUILDING GRADE CERTIFICATE

City of Red Deer

Issued by: No.

1. WHEN EXCAVATING IN A RIGHT OF WAY (EASEMENT), CHECK FOR UTILITIES.
2. STANDING AT THE WATER SHUTOFF AND FACING THE BUILDING, THE SANITARY SERVICE (PAINTED RED) IS ON THE LEFT SIDE OF THE WATER SERVICE; STORM SERVICE (PAINTED GREEN) IS ON THE RIGHT SIDE OF THE WATER SERVICE.
3. ALL DIMENSIONS ARE IN METRES AND DECIMALS THERE OF. THE ELEVATIONS ARE IN METRES ABOVE GEODETIC MEAN SEA LEVEL.
4. ELEVATIONS NOTED ON THE CERTIFICATE ARE WITHIN 100mm OF ACTUAL.
5. THE BUILDER MUST CONSTRUCT WITHIN 100mm OF THE DESIGN LANDSCAPE ELEVATION & ILLUSTRATED DRAINAGE PATTERNS UNLESS OTHERWISE APPROVED BY THE DEVELOPMENT OFFICER.
6. IF THE INFORMATION ON THIS CERTIFICATE HAS BEEN PREPARED BY A PRIVATE DEVELOPER OR THEIR AGENT, THE CITY OF RED DEER ACCEPTS NO RESPONSIBILITY FOR ITS ACCURACY.



LEGEND

- SAN, WATER & STORM
- ⊙ FIRE HYDRANT
- - - GAS
- ☀ POWER, TELEPHONE & CABLE SERVICE
- STREET LIGHT
- ⊠ COMMUNITY MAILBOX
- TRANSFORMER
- EL&P TRANSFORMER
- SHAW PEDESTAL
- ▲ TELEPHONE PEDESTAL
- URD BOX

POWER SERVICE LOCATION IS 1.0m FROM SIDEYARD LOTLINE
 SANITARY AND WATER SERVICE LOCATION IS 3.0m FROM SIDEYARD LOTLINE
 DEPTH OF FILL EXCEEDS 1.2m (BEARING CERTIFICATE REQUIRED)

TOP OF FOOTING:
 MAX. DEPTH BELOW AVERAGE SIDEWALK = 1.89
 LOWEST ELEVATION = 898.27

AS-BUILT SEWER INVERT ELEVATIONS:
 SANITARY AT 5.0m INSIDE LOT = 897.42
 STORM AT 5.0m INSIDE LOT = 897.42

CIVIC ADDRESS: 158 VANCOUVER CRESCENT
 LOT: 4 BLOCK: 7 PLAN No.: _____
 DEVELOPER: MELCOR DEVELOPMENTS SCALE: 1:500
 DRAWN BY: STANTEC CONSULTING LTD DATE: FEB 19, 2013
 APPROVED BY: KERRY SAUNDERS DATE: NOV 20, 2013
 RECEIVED BY: _____ DATE: _____

DESIGN LANDSCAPE ELEVATIONS
 ELEV. AT FRONT OF HOUSE = 900.50
 ELEV. AT REAR OF HOUSE = 900.69

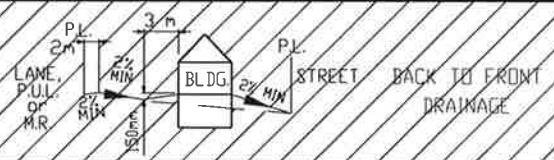
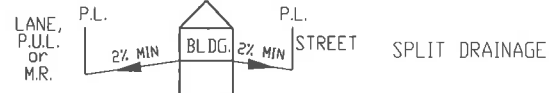
I CERTIFY THAT THE FINAL LANDSCAPE GRADE WILL BE (FRONT) _____
 (REAR) _____
 SIGNATURE OF OWNER OR REPRESENTATIVE _____

BUILDING GRADE CERTIFICATE

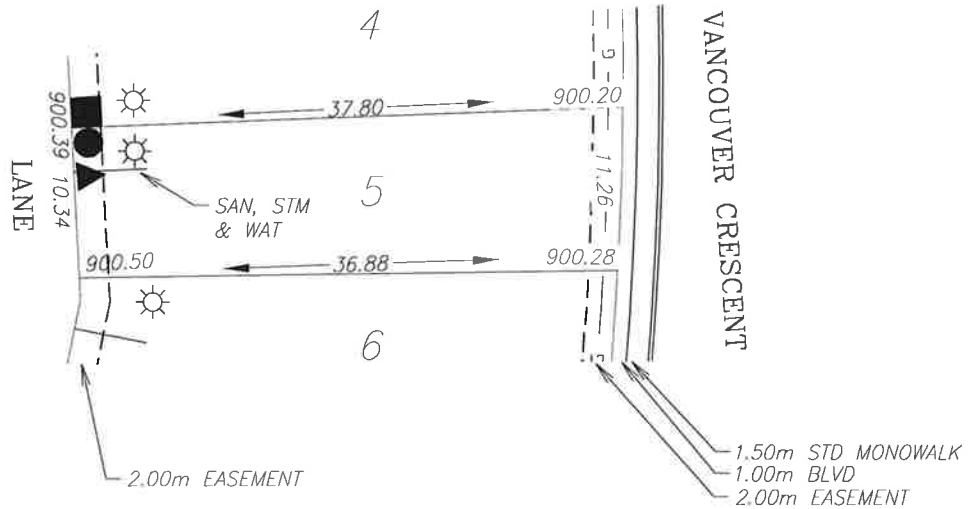
City of Red Deer

Issued by: No.

1. WHEN EXCAVATING IN A RIGHT OF WAY (EASEMENT), CHECK FOR UTILITIES.
2. STANDING AT THE WATER SHUTOFF AND FACING THE BUILDING, THE SANITARY SERVICE (PAINTED RED) IS ON THE LEFT SIDE OF THE WATER SERVICE: STORM SERVICE (PAINTED GREEN) IS ON THE RIGHT SIDE OF THE WATER SERVICE.
3. ALL DIMENSIONS ARE IN METRES AND DECIMALS THERE OF. THE ELEVATIONS ARE IN METRES ABOVE GEODETIC MEAN SEA LEVEL.
4. ELEVATIONS NOTED ON THE CERTIFICATE ARE WITHIN 100mm OF ACTUAL.
5. THE BUILDER MUST CONSTRUCT WITHIN 100mm OF THE DESIGN LANDSCAPE ELEVATION & ILLUSTRATED DRAINAGE PATTERNS UNLESS OTHERWISE APPROVED BY THE DEVELOPMENT OFFICER.
6. IF THE INFORMATION ON THIS CERTIFICATE HAS BEEN PREPARED BY A PRIVATE DEVELOPER OR THEIR AGENT, THE CITY OF RED DEER ACCEPTS NO RESPONSIBILITY FOR ITS ACCURACY.



- LEGEND
- SAN, WATER & STORM
 - ⊙ FIRE HYDRANT
 - - - GAS
 - ☀ POWER, TELEPHONE & CABLE SERVICE
 - STREET LIGHT
 - ⊠ COMMUNITY MAILBOX
 - TRANSFORMER
 - EL&P TRANSFORMER
 - SHAW PEDESTAL
 - ▲ TELEPHONE PEDESTAL
 - URD BOX



POWER SERVICE LOCATION IS 1.0m FROM SIDEYARD LOTLINE
 SANITARY AND WATER SERVICE LOCATION IS 3.0m FROM SIDEYARD LOTLINE
 DEPTH OF FILL EXCEEDS 1.2m (BEARING CERTIFICATE REQUIRED)

TOP OF FOOTING:
 MAX. DEPTH BELOW AVERAGE SIDEWALK = 1.89
 LOWEST ELEVATION = 898.35

AS-BUILT SEWER INVERT ELEVATIONS:
 SANITARY AT 5.0m INSIDE LOT = 897.50
 STORM AT 5.0m INSIDE LOT = 897.50

CIVIC ADDRESS: 154 VANCOUVER CRESCENT
 LOT: 5 BLOCK: 7 PLAN No.:
 DEVELOPER: MELCOR DEVELOPMENTS SCALE: 1:500
 DRAWN BY: STANTEC CONSULTING LTD DATE: FEB 19, 2013
 APPROVED BY: KERRY SAUNDERS DATE: NOV 20, 2013
 RECEIVED BY: DATE:

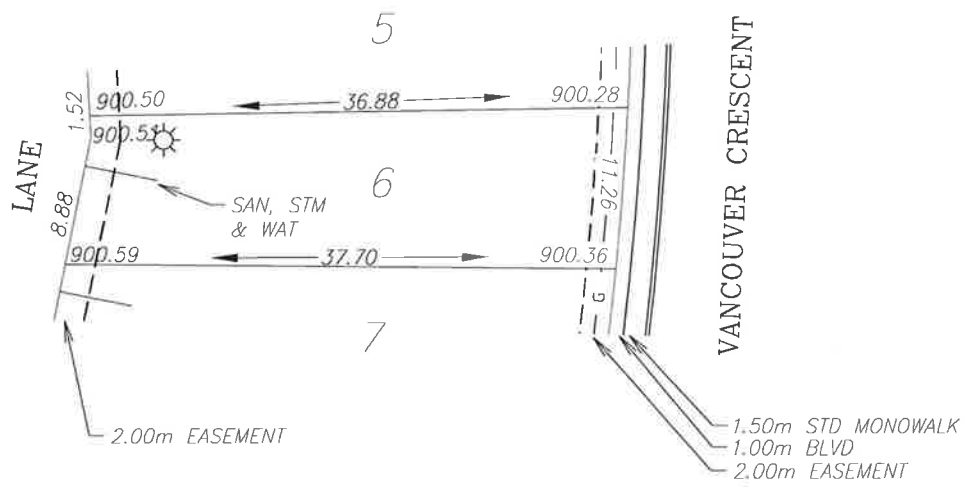
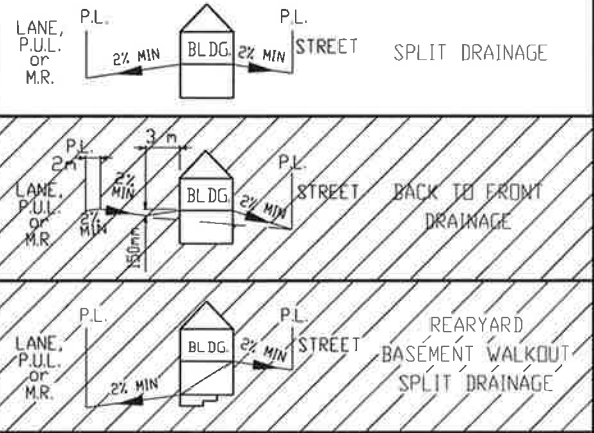
DESIGN LANDSCAPE ELEVATIONS
 ELEV. AT FRONT OF HOUSE = 900.58
 ELEV. AT REAR OF HOUSE = 900.80

I CERTIFY THAT THE FINAL LANDSCAPE GRADE WILL BE (FRONT) _____ (REAR) _____
 SIGNATURE OF OWNER OR REPRESENTATIVE _____

BUILDING GRADE CERTIFICATE

City of Red Deer
 Issued by: _____ No. _____

1. WHEN EXCAVATING IN A RIGHT OF WAY (EASEMENT), CHECK FOR UTILITIES.
2. STANDING AT THE WATER SHUTOFF AND FACING THE BUILDING, THE SANITARY SERVICE (PAINTED RED) IS ON THE LEFT SIDE OF THE WATER SERVICE: STORM SERVICE (PAINTED GREEN) IS ON THE RIGHT SIDE OF THE WATER SERVICE.
3. ALL DIMENSIONS ARE IN METRES AND DECIMALS THERE OF. THE ELEVATIONS ARE IN METRES ABOVE GEODETIC MEAN SEA LEVEL.
4. ELEVATIONS NOTED ON THE CERTIFICATE ARE WITHIN 100mm OF ACTUAL.
5. THE BUILDER MUST CONSTRUCT WITHIN 100mm OF THE DESIGN LANDSCAPE ELEVATION & ILLUSTRATED DRAINAGE PATTERNS UNLESS OTHERWISE APPROVED BY THE DEVELOPMENT OFFICER.
6. IF THE INFORMATION ON THIS CERTIFICATE HAS BEEN PREPARED BY A PRIVATE DEVELOPER OR THEIR AGENT, THE CITY OF RED DEER ACCEPTS NO RESPONSIBILITY FOR ITS ACCURACY.



- LEGEND**
- SAN, WATER & STORM
 - ⊙ FIRE HYDRANT
 - G- GAS
 - ☀ POWER, TELEPHONE & CABLE SERVICE
 - STREET LIGHT
 - ☒ COMMUNITY MAILBOX
 - TRANSFORMER
 - EL&P TRANSFORMER
 - SHAW PEDESTAL
 - ▲ TELEPHONE PEDESTAL
 - URD BOX

POWER SERVICE LOCATION IS 1.0m FROM SIDEYARD LOTLINE
 SANITARY AND WATER SERVICE LOCATION IS 3.50m FROM SIDEYARD LOTLINE
 DEPTH OF FILL EXCEEDS 1.2m (BEARING CERTIFICATE REQUIRED)

TOP OF FOOTING: MAX. DEPTH BELOW AVERAGE SIDEWALK = <u>1.89</u> LOWEST ELEVATION = <u>898.43</u>	CIVIC ADDRESS: <u>150 VANCOUVER CRESCENT</u> LOT: <u>6</u> BLOCK: <u>7</u> PLAN No.: _____ DEVELOPER: <u>MELCOR DEVELOPMENTS</u> SCALE: <u>1:500</u> DRAWN BY: <u>STANTEC CONSULTING LTD</u> DATE: <u>FEB 19, 2013</u> APPROVED BY: <u>KERRY SAUNDERS</u> DATE: <u>NOV 20, 2013</u> RECEIVED BY: _____ DATE: _____
AS-BUILT SEWER INVERT ELEVATIONS: SANITARY AT 5.0m INSIDE LOT = <u>897.58</u> STORM AT 5.0m INSIDE LOT = <u>897.58</u>	

DESIGN LANDSCAPE ELEVATIONS ELEV. AT FRONT OF HOUSE = <u>900.66</u> ELEV. AT REAR OF HOUSE = <u>900.81</u>	I CERTIFY THAT THE FINAL LANDSCAPE GRADE WILL BE (FRONT) _____ (REAR) _____ SIGNATURE OF OWNER OR REPRESENTATIVE _____
--	--

BUILDING GRADE CERTIFICATE

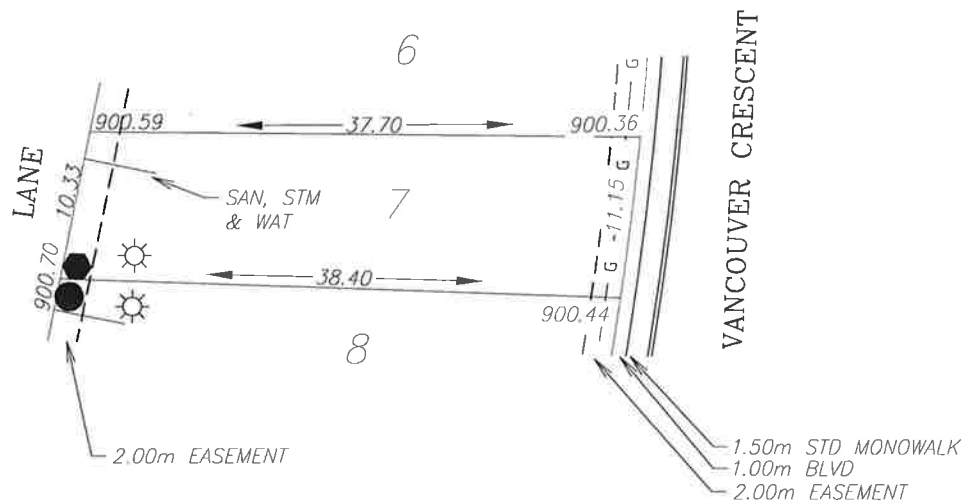
City of Red Deer

Issued by: No.

1. WHEN EXCAVATING IN A RIGHT OF WAY (EASEMENT), CHECK FOR UTILITIES.
2. STANDING AT THE WATER SHUTOFF AND FACING THE BUILDING, THE SANITARY SERVICE (PAINTED RED) IS ON THE LEFT SIDE OF THE WATER SERVICE: STORM SERVICE (PAINTED GREEN) IS ON THE RIGHT SIDE OF THE WATER SERVICE.
3. ALL DIMENSIONS ARE IN METRES AND DECIMALS THERE OF. THE ELEVATIONS ARE IN METRES ABOVE GEODETIC MEAN SEA LEVEL.
4. ELEVATIONS NOTED ON THE CERTIFICATE ARE WITHIN 100mm OF ACTUAL.
5. THE BUILDER MUST CONSTRUCT WITHIN 100mm OF THE DESIGN LANDSCAPE ELEVATION & ILLUSTRATED DRAINAGE PATTERNS UNLESS OTHERWISE APPROVED BY THE DEVELOPMENT OFFICER.
6. IF THE INFORMATION ON THIS CERTIFICATE HAS BEEN PREPARED BY A PRIVATE DEVELOPER OR THEIR AGENT, THE CITY OF RED DEER ACCEPTS NO RESPONSIBILITY FOR ITS ACCURACY.



- LEGEND
- SAN, WATER & STORM
 - ⊙ FIRE HYDRANT
 - - - GAS
 - ☀ POWER, TELEPHONE & CABLE SERVICE
 - STREET LIGHT
 - ⊠ COMMUNITY MAILBOX
 - TRANSFORMER
 - EL&P TRANSFORMER
 - SHAW PEDESTAL
 - ▲ TELEPHONE PEDESTAL
 - URD BOX



POWER SERVICE LOCATION IS 1.0m FROM SIDEYARD LOTLINE
 SANITARY AND WATER SERVICE LOCATION IS 2.0m FROM SIDEYARD LOTLINE
 DEPTH OF FILL EXCEEDS 1.2m (BEARING CERTIFICATE REQUIRED)

TOP OF FOOTING:
 MAX. DEPTH BELOW AVERAGE SIDEWALK = 1.94
 LOWEST ELEVATION = 898.46

AS-BUILT SEWER INVERT ELEVATIONS:
 SANITARY AT 5.0m INSIDE LOT = 897.61
 STORM AT 5.0m INSIDE LOT = 897.61

CIVIC ADDRESS: 146 VANCOUVER CRESCENT
 LOT: 7 BLOCK: 7 PLAN No.:
 DEVELOPER: MELCOR DEVELOPMENTS SCALE: 1:500
 DRAWN BY: STANTEC CONSULTING LTD DATE: FEB 19, 2013
 APPROVED BY: KERRY SAUNDERS DATE: NOV 20, 2013
 RECEIVED BY: DATE:

DESIGN LANDSCAPE ELEVATIONS
 ELEV. AT FRONT OF HOUSE = 900.74
 ELEV. AT REAR OF HOUSE = 901.00

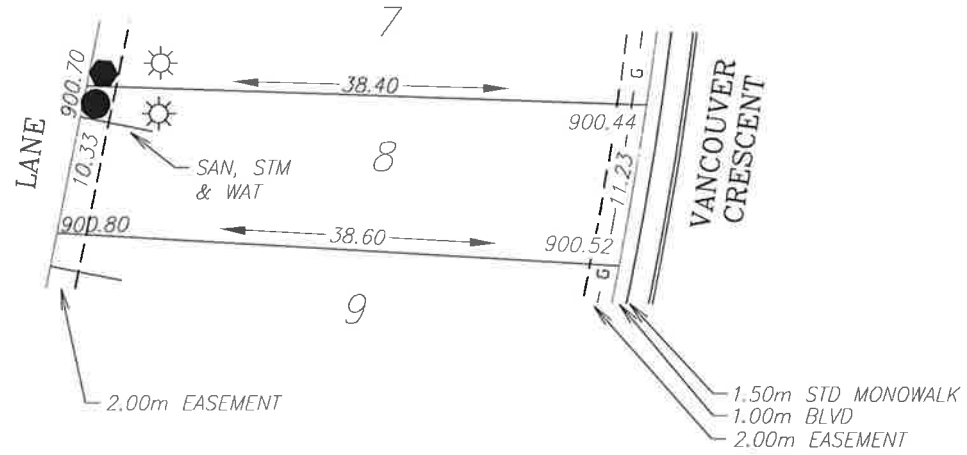
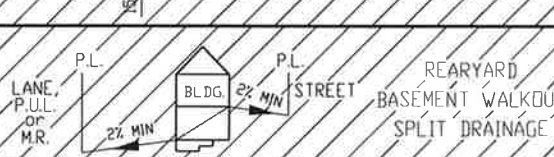
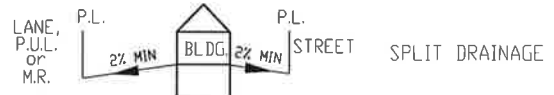
I CERTIFY THAT THE FINAL LANDSCAPE GRADE WILL BE (FRONT) _____ (REAR) _____
 SIGNATURE OF OWNER OR REPRESENTATIVE _____

BUILDING GRADE CERTIFICATE

City of Red Deer

Issued by: No.

1. WHEN EXCAVATING IN A RIGHT OF WAY (EASEMENT), CHECK FOR UTILITIES.
2. STANDING AT THE WATER SHUTOFF AND FACING THE BUILDING, THE SANITARY SERVICE (PAINTED RED) IS ON THE LEFT SIDE OF THE WATER SERVICE: STORM SERVICE (PAINTED GREEN) IS ON THE RIGHT SIDE OF THE WATER SERVICE.
3. ALL DIMENSIONS ARE IN METRES AND DECIMALS THERE OF. THE ELEVATIONS ARE IN METRES ABOVE GEODETIC MEAN SEA LEVEL.
4. ELEVATIONS NOTED ON THE CERTIFICATE ARE WITHIN 100mm OF ACTUAL.
5. THE BUILDER MUST CONSTRUCT WITHIN 100mm OF THE DESIGN LANDSCAPE ELEVATION & ILLUSTRATED DRAINAGE PATTERNS UNLESS OTHERWISE APPROVED BY THE DEVELOPMENT OFFICER.
6. IF THE INFORMATION ON THIS CERTIFICATE HAS BEEN PREPARED BY A PRIVATE DEVELOPER OR THEIR AGENT, THE CITY OF RED DEER ACCEPTS NO RESPONSIBILITY FOR ITS ACCURACY.



LEGEND

- SAN, WATER & STORM
- ⊙ FIRE HYDRANT
- G- GAS
- ☀ POWER, TELEPHONE & CABLE SERVICE
- STREET LIGHT
- ☒ COMMUNITY MAILBOX
- TRANSFORMER
- EL&P TRANSFORMER
- SHAW PEDESTAL
- ▲ TELEPHONE PEDESTAL
- URD BOX

POWER SERVICE LOCATION IS 1.0m FROM SIDEYARD LOTLINE
 SANITARY AND WATER SERVICE LOCATION IS 2.20m FROM SIDEYARD LOTLINE
 DEPTH OF FILL EXCEEDS 1.2m (BEARING CERTIFICATE REQUIRED)

TOP OF FOOTING:
 MAX. DEPTH BELOW AVERAGE SIDEWALK = 1.98
 LOWEST ELEVATION = 898.50

AS-BUILT SEWER INVERT ELEVATIONS:
 SANITARY AT 5.0m INSIDE LOT = 897.65
 STORM AT 5.0m INSIDE LOT = 897.65

CIVIC ADDRESS: 142 VANCOUVER CRESCENT
 LOT: 8 BLOCK: 7 PLAN No.:
 DEVELOPER: MELCOR DEVELOPMENTS SCALE: 1:500
 DRAWN BY: STANTEC CONSULTING LTD DATE: FEB 19, 2013
 APPROVED BY: KERRY SAUNDERS DATE: NOV 20, 2013
 RECEIVED BY: DATE:

DESIGN LANDSCAPE ELEVATIONS
 ELEV. AT FRONT OF HOUSE = 900.82
 ELEV. AT REAR OF HOUSE = 901.10

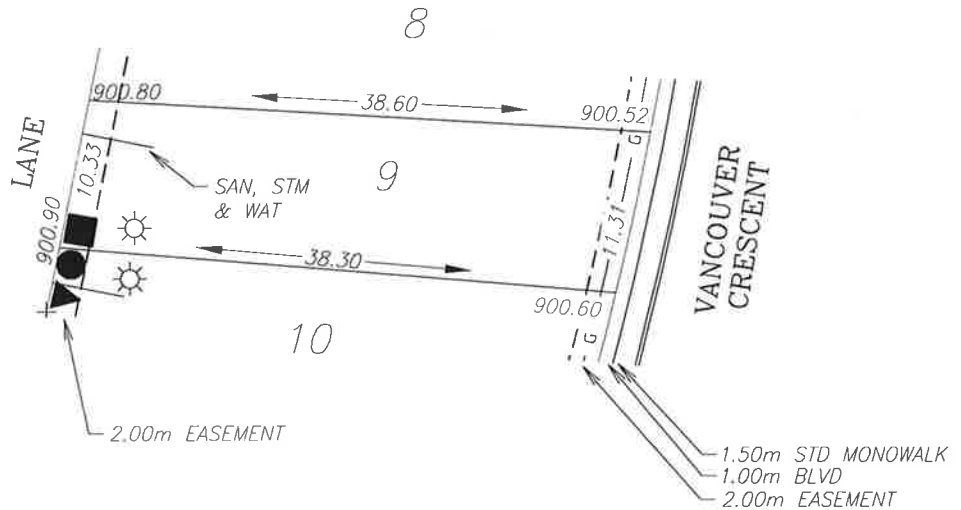
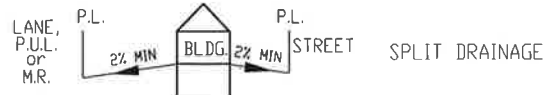
I CERTIFY THAT THE FINAL LANDSCAPE GRADE WILL BE (FRONT) _____ (REAR) _____
 SIGNATURE OF OWNER OR REPRESENTATIVE _____

BUILDING GRADE CERTIFICATE

City of Red Deer

Issued by: No.

1. WHEN EXCAVATING IN A RIGHT OF WAY (EASEMENT), CHECK FOR UTILITIES.
2. STANDING AT THE WATER SHUTOFF AND FACING THE BUILDING, THE SANITARY SERVICE (PAINTED RED) IS ON THE LEFT SIDE OF THE WATER SERVICE; STORM SERVICE (PAINTED GREEN) IS ON THE RIGHT SIDE OF THE WATER SERVICE.
3. ALL DIMENSIONS ARE IN METRES AND DECIMALS THERE OF. THE ELEVATIONS ARE IN METRES ABOVE GEODETIC MEAN SEA LEVEL.
4. ELEVATIONS NOTED ON THE CERTIFICATE ARE WITHIN 100mm OF ACTUAL.
5. THE BUILDER MUST CONSTRUCT WITHIN 100mm OF THE DESIGN LANDSCAPE ELEVATION & ILLUSTRATED DRAINAGE PATTERNS UNLESS OTHERWISE APPROVED BY THE DEVELOPMENT OFFICER.
6. IF THE INFORMATION ON THIS CERTIFICATE HAS BEEN PREPARED BY A PRIVATE DEVELOPER OR THEIR AGENT, THE CITY OF RED DEER ACCEPTS NO RESPONSIBILITY FOR ITS ACCURACY.



LEGEND

- SAN, WATER & STORM
- ⊙ FIRE HYDRANT
- G- GAS
- ☀ POWER, TELEPHONE & CABLE SERVICE
- ⊙ STREET LIGHT
- ⊠ COMMUNITY MAILBOX
- TRANSFORMER
- EL&P TRANSFORMER
- SHAW PEDESTAL
- ▲ TELEPHONE PEDESTAL
- URD BOX

POWER SERVICE LOCATION IS 1.0m FROM SIDEYARD LOTLINE
 SANITARY AND WATER SERVICE LOCATION IS 2.31m FROM SIDEYARD LOTLINE
 DEPTH OF FILL EXCEEDS 1.2m (BEARING CERTIFICATE REQUIRED)

TOP OF FOOTING: MAX. DEPTH BELOW AVERAGE SIDEWALK = <u>2.02</u> LOWEST ELEVATION = <u>898.54</u>	CIVIC ADDRESS: <u>138 VANCOUVER CRESCENT</u> LOT: <u>9</u> BLOCK: <u>7</u> PLAN No.: _____ DEVELOPER: <u>MELCOR DEVELOPMENTS</u> SCALE: <u>1:500</u> DRAWN BY: <u>STANTEC CONSULTING LTD</u> DATE: <u>FEB 19, 2013</u> APPROVED BY: <u>KERRY SAUNDERS</u> DATE: <u>NOV 20, 2013</u> RECEIVED BY: _____ DATE: _____
AS-BUILT SEWER INVERT ELEVATIONS: SANITARY AT 5.0m INSIDE LOT = <u>897.69</u> STORM AT 5.0m INSIDE LOT = <u>897.69</u>	

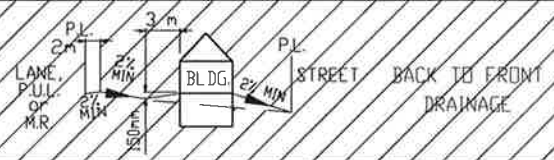
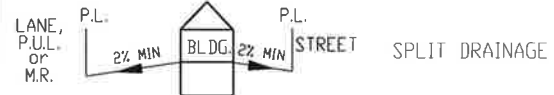
DESIGN LANDSCAPE ELEVATIONS ELEV. AT FRONT OF HOUSE = <u>900.90</u> ELEV. AT REAR OF HOUSE = <u>901.20</u>	I CERTIFY THAT THE FINAL LANDSCAPE GRADE WILL BE (FRONT) _____ (REAR) _____ SIGNATURE OF OWNER OR REPRESENTATIVE _____
--	--

BUILDING GRADE CERTIFICATE

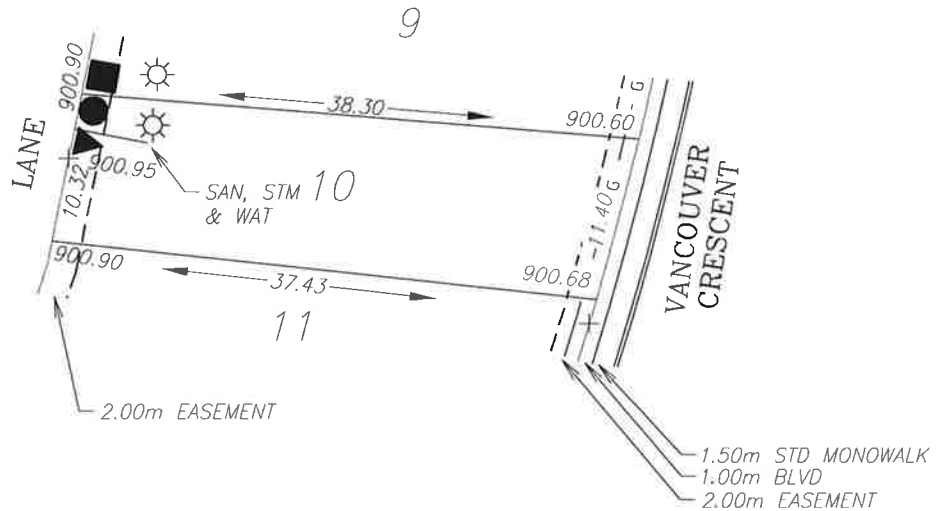
City of Red Deer

Issued by: No.

1. WHEN EXCAVATING IN A RIGHT OF WAY (EASEMENT), CHECK FOR UTILITIES.
2. STANDING AT THE WATER SHUTOFF AND FACING THE BUILDING, THE SANITARY SERVICE (PAINTED RED) IS ON THE LEFT SIDE OF THE WATER SERVICE. STORM SERVICE (PAINTED GREEN) IS ON THE RIGHT SIDE OF THE WATER SERVICE.
3. ALL DIMENSIONS ARE IN METRES AND DECIMALS THERE OF. THE ELEVATIONS ARE IN METRES ABOVE GEODETIC MEAN SEA LEVEL.
4. ELEVATIONS NOTED ON THE CERTIFICATE ARE WITHIN 100mm OF ACTUAL.
5. THE BUILDER MUST CONSTRUCT WITHIN 100mm OF THE DESIGN LANDSCAPE ELEVATION & ILLUSTRATED DRAINAGE PATTERNS UNLESS OTHERWISE APPROVED BY THE DEVELOPMENT OFFICER.
6. IF THE INFORMATION ON THIS CERTIFICATE HAS BEEN PREPARED BY A PRIVATE DEVELOPER OR THEIR AGENT, THE CITY OF RED DEER ACCEPTS NO RESPONSIBILITY FOR ITS ACCURACY.



- LEGEND
- SAN, WATER & STORM
 - ⊙ FIRE HYDRANT
 - - - GAS
 - ☀ POWER, TELEPHONE & CABLE SERVICE
 - STREET LIGHT
 - ⊠ COMMUNITY MAILBOX
 - TRANSFORMER
 - EL&P TRANSFORMER
 - SHAW PEDESTAL
 - ▲ TELEPHONE PEDESTAL
 - URD BOX



POWER SERVICE LOCATION IS 1.0m FROM SIDEYARD LOTLINE
 SANITARY AND WATER SERVICE LOCATION IS 2.43m FROM SIDEYARD LOTLINE
 DEPTH OF FILL EXCEEDS 1.2m (BEARING CERTIFICATE REQUIRED)

TOP OF FOOTING:
 MAX. DEPTH BELOW AVERAGE SIDEWALK = 2.07
 LOWEST ELEVATION = 898.57

AS-BUILT SEWER INVERT ELEVATIONS:
 SANITARY AT 5.0m INSIDE LOT = 897.72
 STORM AT 5.0m INSIDE LOT = 897.72

CIVIC ADDRESS: 134 VANCOUVER CRESCENT
 LOT: 10 BLOCK: 7 PLAN No.:
 DEVELOPER: MELCOR DEVELOPMENTS SCALE: 1:500
 DRAWN BY: STANTEC CONSULTING LTD DATE: FEB 19, 2013
 APPROVED BY: KERRY SAUNDERS DATE: NOV 20, 2013
 RECEIVED BY: DATE:

DESIGN LANDSCAPE ELEVATIONS
 ELEV. AT FRONT OF HOUSE = 900.98
 ELEV. AT REAR OF HOUSE = 901.25

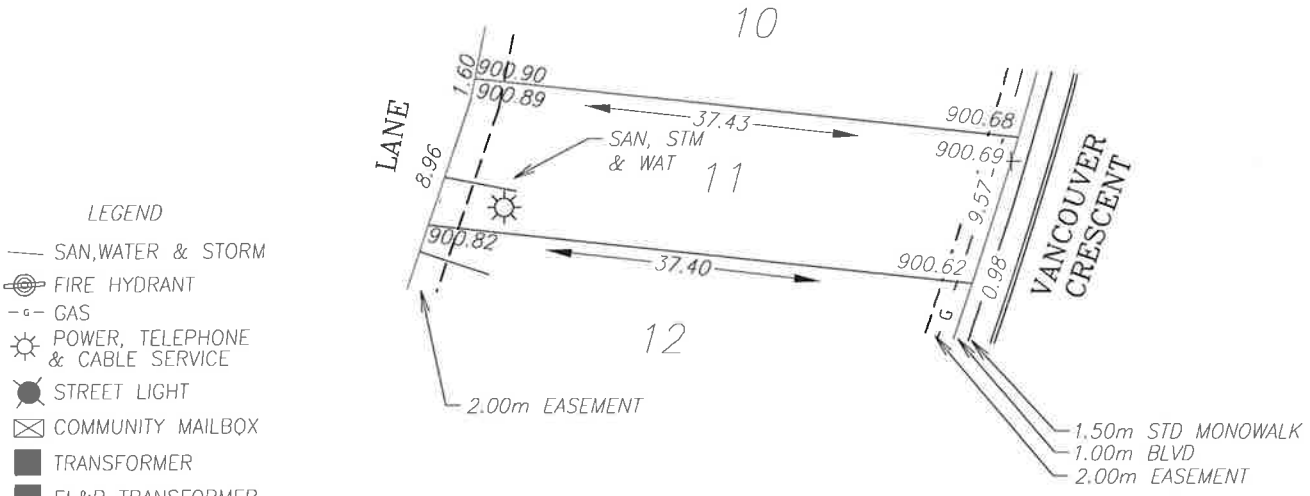
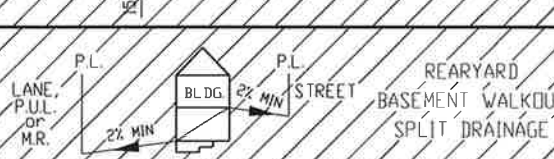
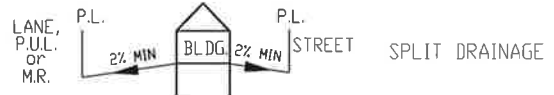
I CERTIFY THAT THE FINAL LANDSCAPE GRADE WILL BE (FRONT) _____
 (REAR) _____
 SIGNATURE OF OWNER OR REPRESENTATIVE _____

BUILDING GRADE CERTIFICATE

City of Red Deer

Issued by: No.

1. WHEN EXCAVATING IN A RIGHT OF WAY (EASEMENT), CHECK FOR UTILITIES.
2. STANDING AT THE WATER SHUTOFF AND FACING THE BUILDING, THE SANITARY SERVICE (PAINTED RED) IS ON THE LEFT SIDE OF THE WATER SERVICE: STORM SERVICE (PAINTED GREEN) IS ON THE RIGHT SIDE OF THE WATER SERVICE.
3. ALL DIMENSIONS ARE IN METRES AND DECIMALS THERE OF. THE ELEVATIONS ARE IN METRES ABOVE GEODETIC MEAN SEA LEVEL.
4. ELEVATIONS NOTED ON THE CERTIFICATE ARE WITHIN 100mm OF ACTUAL.
5. THE BUILDER MUST CONSTRUCT WITHIN 100mm OF THE DESIGN LANDSCAPE ELEVATION & ILLUSTRATED DRAINAGE PATTERNS UNLESS OTHERWISE APPROVED BY THE DEVELOPMENT OFFICER.
6. IF THE INFORMATION ON THIS CERTIFICATE HAS BEEN PREPARED BY A PRIVATE DEVELOPER OR THEIR AGENT, THE CITY OF RED DEER ACCEPTS NO RESPONSIBILITY FOR ITS ACCURACY.



LEGEND

- SAN, WATER & STORM
- ⊙ FIRE HYDRANT
- - - GAS
- ☀ POWER, TELEPHONE & CABLE SERVICE
- ⦿ STREET LIGHT
- ⊠ COMMUNITY MAILBOX
- TRANSFORMER
- EL&P TRANSFORMER
- SHAW PEDESTAL
- ▲ TELEPHONE PEDESTAL
- URD BOX

POWER SERVICE LOCATION IS 1.0m FROM SIDEYARD LOTLINE
 SANITARY AND WATER SERVICE LOCATION IS 3.47m FROM SIDEYARD LOTLINE
 DEPTH OF FILL EXCEEDS 1.2m (BEARING CERTIFICATE REQUIRED)

TOP OF FOOTING:
 MAX. DEPTH BELOW AVERAGE SIDEWALK = 1.96
 LOWEST ELEVATION = 898.70

AS-BUILT SEWER INVERT ELEVATIONS:
 SANITARY AT 5.0m INSIDE LOT = 897.85
 STORM AT 5.0m INSIDE LOT = 897.85

CIVIC ADDRESS: 130 VANCOUVER CRESCENT
 LOT: 11 BLOCK: 7 PLAN No.: _____
 DEVELOPER: MELCOR DEVELOPMENTS SCALE: 1:500
 DRAWN BY: STANTEC CONSULTING LTD DATE: FEB 19, 2013
 APPROVED BY: KERRY SAUNDERS DATE: NOV 20, 2013
 RECEIVED BY: _____ DATE: _____

DESIGN LANDSCAPE ELEVATIONS
 ELEV. AT FRONT OF HOUSE = 900.99
 ELEV. AT REAR OF HOUSE = 901.20

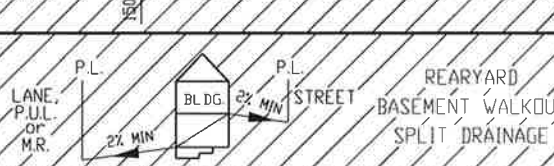
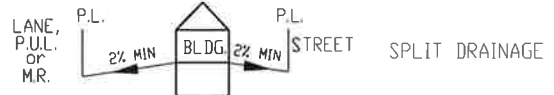
I CERTIFY THAT THE FINAL LANDSCAPE GRADE WILL BE (FRONT) _____ (REAR) _____
 SIGNATURE OF OWNER OR REPRESENTATIVE _____

BUILDING GRADE CERTIFICATE

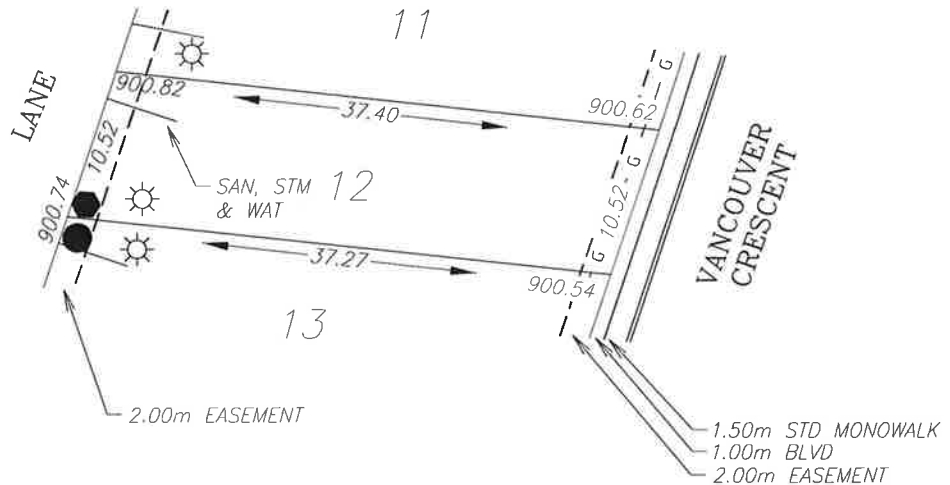
City of Red Deer

Issued by: No.

1. WHEN EXCAVATING IN A RIGHT OF WAY (EASEMENT), CHECK FOR UTILITIES.
2. STANDING AT THE WATER SHUTOFF AND FACING THE BUILDING, THE SANITARY SERVICE (PAINTED RED) IS ON THE LEFT SIDE OF THE WATER SERVICE: STORM SERVICE (PAINTED GREEN) IS ON THE RIGHT SIDE OF THE WATER SERVICE.
3. ALL DIMENSIONS ARE IN METRES AND DECIMALS THERE OF. THE ELEVATIONS ARE IN METRES ABOVE GEODETIC MEAN SEA LEVEL.
4. ELEVATIONS NOTED ON THE CERTIFICATE ARE WITHIN 100mm OF ACTUAL.
5. THE BUILDER MUST CONSTRUCT WITHIN 100mm OF THE DESIGN LANDSCAPE ELEVATION & ILLUSTRATED DRAINAGE PATTERNS UNLESS OTHERWISE APPROVED BY THE DEVELOPMENT OFFICER.
6. IF THE INFORMATION ON THIS CERTIFICATE HAS BEEN PREPARED BY A PRIVATE DEVELOPER OR THEIR AGENT, THE CITY OF RED DEER ACCEPTS NO RESPONSIBILITY FOR ITS ACCURACY.



- LEGEND
- SAN, WATER & STORM
 - ⊙ FIRE HYDRANT
 - - - GAS
 - ☀ POWER, TELEPHONE & CABLE SERVICE
 - STREET LIGHT
 - ⊠ COMMUNITY MAILBOX
 - TRANSFORMER
 - EL&P TRANSFORMER
 - SHAW PEDESTAL
 - ▲ TELEPHONE PEDESTAL
 - URD BOX



POWER SERVICE LOCATION IS 1.0m FROM SIDEYARD LOTLINE
 SANITARY AND WATER SERVICE LOCATION IS 1.94m FROM SIDEYARD LOTLINE
 DEPTH OF FILL EXCEEDS 1.2m (BEARING CERTIFICATE REQUIRED)

TOP OF FOOTING:
 MAX. DEPTH BELOW AVERAGE SIDEWALK = 2.13
 LOWEST ELEVATION = 898.45

AS-BUILT SEWER INVERT ELEVATIONS:
 SANITARY AT 5.0m INSIDE LOT = 897.60
 STORM AT 5.0m INSIDE LOT = 897.60

CIVIC ADDRESS: 126 VANCOUVER CRESCENT
 LOT: 12 BLOCK: 7 PLAN No.:
 DEVELOPER: MELCOR DEVELOPMENTS SCALE: 1:500
 DRAWN BY: STANTEC CONSULTING LTD DATE: FEB 19, 2013
 APPROVED BY: KERRY SAUNDERS DATE: NOV 20, 2013
 RECEIVED BY: DATE:

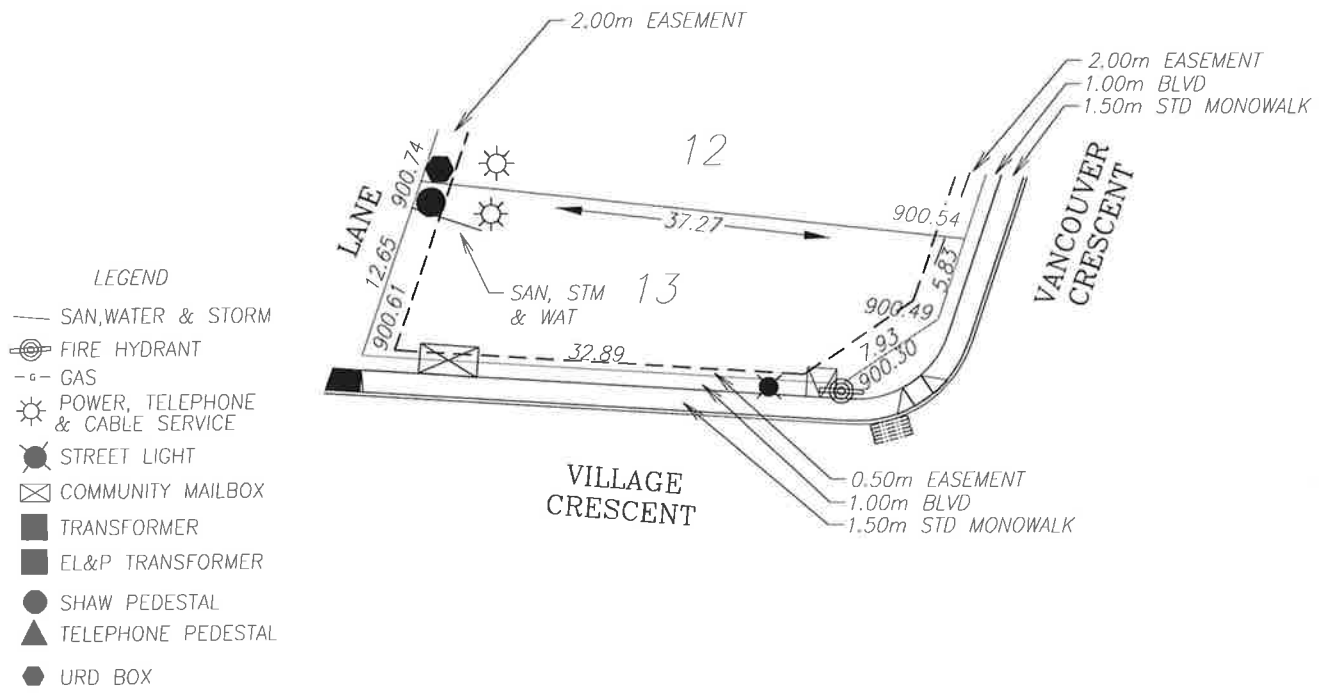
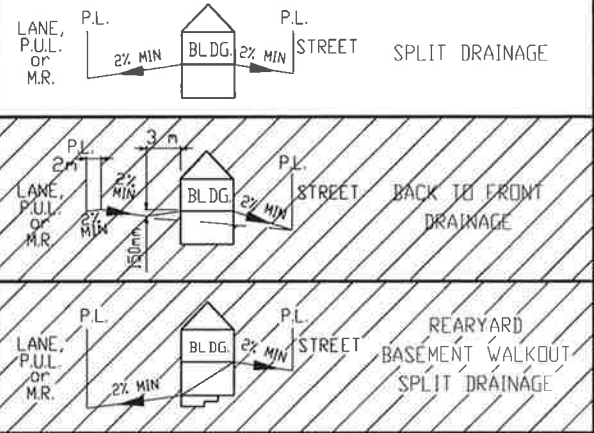
DESIGN LANDSCAPE ELEVATIONS
 ELEV. AT FRONT OF HOUSE = 900.92
 ELEV. AT REAR OF HOUSE = 901.12

I CERTIFY THAT THE FINAL LANDSCAPE GRADE WILL BE (FRONT) _____
 (REAR) _____
 SIGNATURE OF OWNER OR REPRESENTATIVE _____

BUILDING GRADE CERTIFICATE

City of Red Deer
 Issued by: No.

1. WHEN EXCAVATING IN A RIGHT OF WAY (EASEMENT), CHECK FOR UTILITIES.
2. STANDING AT THE WATER SHUTOFF AND FACING THE BUILDING, THE SANITARY SERVICE (PAINTED RED) IS ON THE LEFT SIDE OF THE WATER SERVICE; STORM SERVICE (PAINTED GREEN) IS ON THE RIGHT SIDE OF THE WATER SERVICE.
3. ALL DIMENSIONS ARE IN METRES AND DECIMALS THERE OF. THE ELEVATIONS ARE IN METRES ABOVE GEODETIC MEAN SEA LEVEL.
4. ELEVATIONS NOTED ON THE CERTIFICATE ARE WITHIN 100mm OF ACTUAL.
5. THE BUILDER MUST CONSTRUCT WITHIN 100mm OF THE DESIGN LANDSCAPE ELEVATION & ILLUSTRATED DRAINAGE PATTERNS UNLESS OTHERWISE APPROVED BY THE DEVELOPMENT OFFICER.
6. IF THE INFORMATION ON THIS CERTIFICATE HAS BEEN PREPARED BY A PRIVATE DEVELOPER OR THEIR AGENT, THE CITY OF RED DEER ACCEPTS NO RESPONSIBILITY FOR ITS ACCURACY.



- LEGEND**
- SAN, WATER & STORM
 - ⊙ FIRE HYDRANT
 - G- GAS
 - ☀ POWER, TELEPHONE & CABLE SERVICE
 - STREET LIGHT
 - ⊠ COMMUNITY MAILBOX
 - TRANSFORMER
 - EL&P TRANSFORMER
 - SHAW PEDESTAL
 - ▲ TELEPHONE PEDESTAL
 - URD BOX

POWER SERVICE LOCATION IS 1.0m FROM SIDEYARD LOTLINE
 SANITARY AND WATER SERVICE LOCATION IS 1.94m FROM SIDEYARD LOTLINE
 DEPTH OF FILL EXCEEDS 1.2m (BEARING CERTIFICATE REQUIRED)

TOP OF FOOTING: MAX. DEPTH BELOW AVERAGE SIDEWALK = <u>1.68</u> LOWEST ELEVATION = <u>898.76</u>	CIVIC ADDRESS: <u>122 VANCOUVER CRESCENT</u> LOT: <u>13</u> BLOCK: <u>7</u> PLAN No.: _____ DEVELOPER: <u>MELCOR DEVELOPMENTS</u> SCALE: <u>1:500</u> DRAWN BY: <u>STANTEC CONSULTING LTD</u> DATE: <u>FEB 19, 2013</u> APPROVED BY: <u>KERRY SAUNDERS</u> DATE: <u>NOV 20, 2013</u> RECEIVED BY: _____ DATE: _____
AS-BUILT SEWER INVERT ELEVATIONS: SANITARY AT 5.0m INSIDE LOT = <u>897.91</u> STORM AT 5.0m INSIDE LOT = <u>897.91</u>	

DESIGN LANDSCAPE ELEVATIONS ELEV. AT FRONT OF HOUSE = <u>900.84</u> ELEV. AT REAR OF HOUSE = <u>901.04</u>	I CERTIFY THAT THE FINAL LANDSCAPE GRADE WILL BE (FRONT) _____ (REAR) _____ SIGNATURE OF OWNER OR REPRESENTATIVE _____
--	--